

Spare Parts for Ropeways in Accordance with Drawings



Parts in accordance with drawing

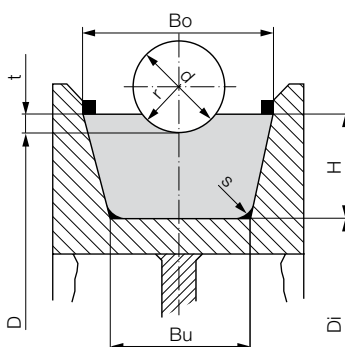
Specific installations often incorporate custom-made parts, which can make it difficult to obtain spares. Haberkorn has many years of experience and competent partners when it comes to manufacturing the correct spare parts.

Highlights – Spare parts for ropeways in accordance with drawings



Our know-how is your advantage

Our know-how and many years of experience mean we can manufacture custom parts to suit your requirements and in accordance with your drawing. Here, we use the same materials as in the case of our own ropeway parts.



Straightforward handling

- You send us your drawing and specify your application parameters
- We jointly select the best material to ensure a long service life for your spare parts
- We manufacture and deliver the parts