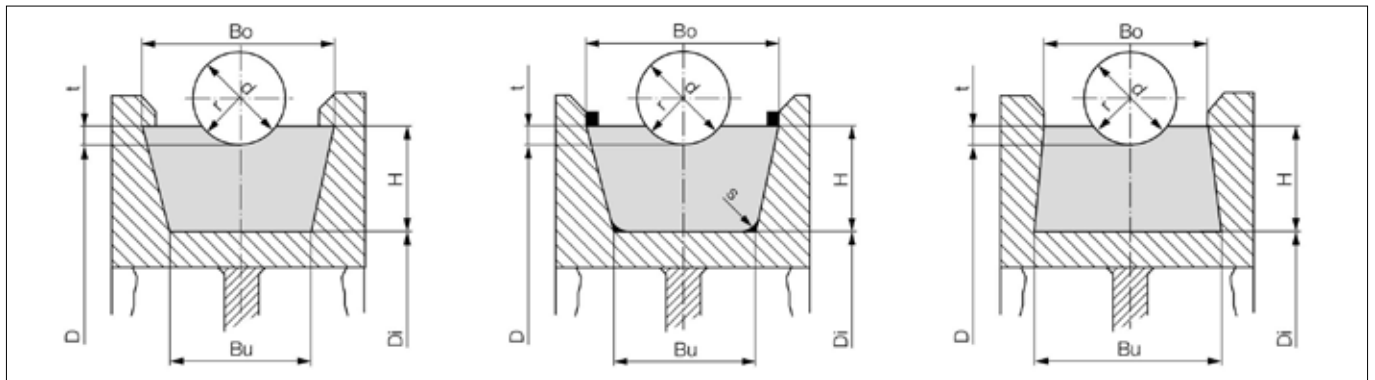


Rope Sheave Dimensioning and Calculation



Making light work of dimensioning and calculation

The correct dimensioning of a rope sheave is crucial as it will affect wear, longevity and safety. In other words, the protection of man and machine. At Haberkorn, we will be only too pleased to help you with our many years of expertise in the ropeway sector.

Highlights – Rope sheave dimensioning and calculation



Factors influencing the dimensioning

Key parameters to be considered when dimensioning rope sheave liners are the diameter, deflection angle, load and speed of the rope.



Procedure for rope sheave dimensioning

- You provide information on the exact operating conditions
- We calculate the required dimensions on the basis of our many years of experience and precise knowledge of sheave materials, taking into account the various influencing factors.