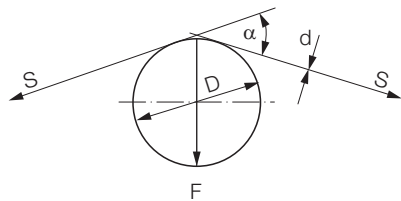


Questionnaire for sheave liners

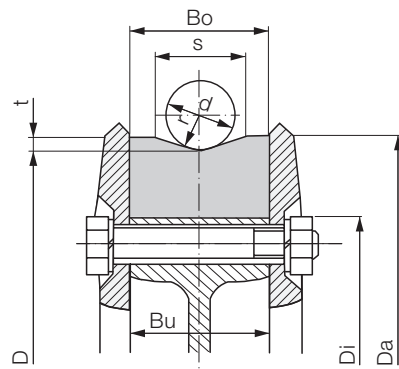
Lift and/or sheave manufacturer:

Sheave liner for

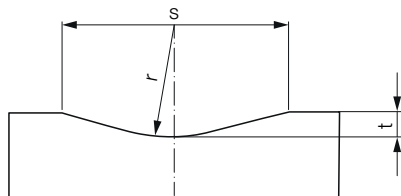
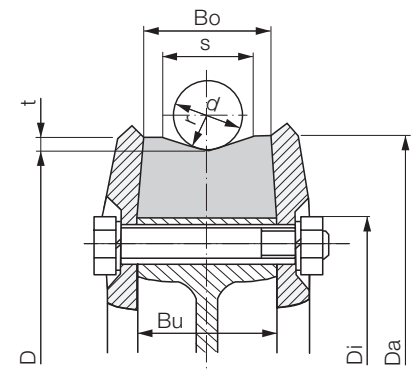
- Carriage sheave
- Haul rope sheave
- Carrying-hauling rope sheave
- Hold-down sheave
- Curve sheave



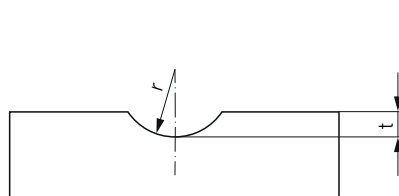
Parallel section (Bu = Bo)



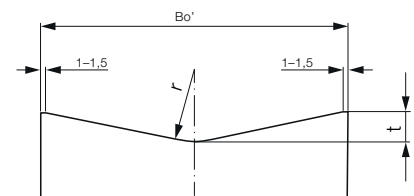
Tapered section (Bu > Bo)



Standard groove



Rope groove R



Rope groove M

Nominal dimension ND (mm) Di x Da / Bu x Bo

- | | | | | | |
|----------------------------|----|------------------------------|----|---------------------------------|-------|
| Inner diameter Di | mm | Groove base diameter D | mm | Speed v | m/sec |
| Outer diameter Da | mm | Sheave load F | N | Groove width s | mm |
| Top width Bo | mm | Groove depth t | mm | Deflection angle α | ° |
| Bottom width Bu | mm | Rope diameter d | mm | Rope tension S | kN |
| Groove with radius r | mm | | | | |

Type of facility

- | | | |
|------------------------------------------|----------------------------------------------------|--------------------------------------------|
| <input type="checkbox"/> Ski tow | <input type="checkbox"/> Detachable lift | <input type="checkbox"/> Funicular railway |
| <input type="checkbox"/> Fixed-grip lift | <input type="checkbox"/> Reversible aerial tramway | <input type="checkbox"/> Material ropeway |

The liner should be

- conductive
- insulating

Customer _____ Customer No. _____
 Telephone _____ Date / Signature _____

Legal notice All errors and omissions excepted. All rights reserved. Reuse of texts and illustrations or reproduction in whole or in part only possible with our written consent. All deliveries subject to our General Terms of Sale and Delivery (GTSD). © Haberkorn GmbH – Wolfurt 2016.

Your Haberkorn contact:

Thomas Samsinger
 T +43 1/74 074-1301
 thomas.samsinger@haberkorn.com

