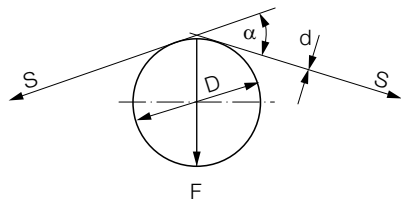


Questionnaire for sheave liners

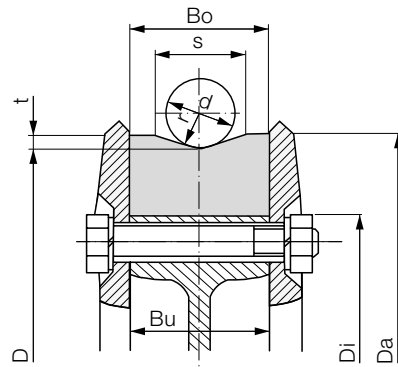
Lift and/or sheave manufacturer:

Sheave liner for

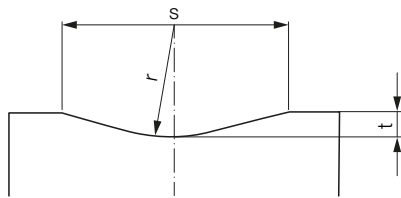
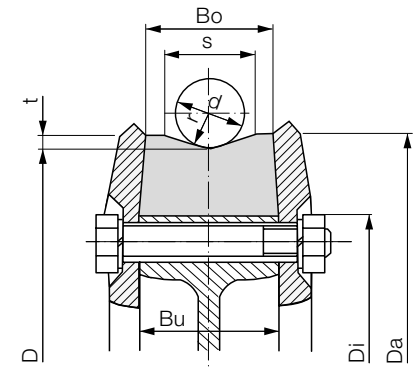
- Carriage sheave
- Haul rope sheave
- Carrying-hauling rope sheave
- Hold-down sheave
- Curve sheave



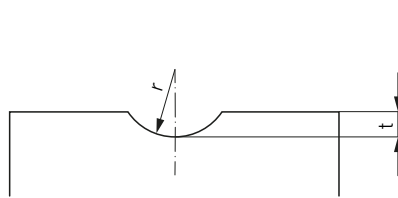
Parallel section (Bu = Bo)



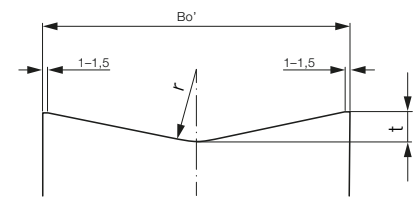
Tapered section (Bu > Bo)



Standard groove



Rope groove R



Rope groove M

Nominal dimension ND (mm) Di x Da / Bu x Bo.....

- | | | |
|-------------------------------|--------------------------------|--|
| Inner diameter Di mm | Groove base diameter Dmm | Groove width s mm |
| Outer diameter Da mm | Sheave load FN | Deflection angle α ° |
| Top width Bo mm | Groove depth tmm | Rope tension SkN |
| Bottom width Bu mm | Rope diameter dmm | (All dimensions are when installed) |
| Groove with radius r mm | Speed v m/sec | |

Type of facility

- | | | |
|-----------------|---------------------------|-------------------|
| Ski tow | Detachable lift | Funicular railway |
| Fixed-grip lift | Reversible aerial tramway | Material ropeway |

The liner should be

- | | |
|------------|------------|
| conductive | insulating |
|------------|------------|

Customer _____ Customer No. _____

Telephone _____ Date / Signature _____

Legal notice All errors and omissions excepted. All rights reserved. Reuse of texts and illustrations or reproduction in whole or in part only possible with our written consent. All deliveries subject to our General Terms of Sale and Delivery (GTSD). © Haberkorn GmbH – Wolfurt 2016.

Your Haberkorn contact:

Thomas Samsinger
 T +43 1/74 074-1301
 thomas.samsinger@haberkorn.com

