

	Seite
Produktinformation Keilriemenscheiben	4.2
Profil SPZ/Z	4.3
Profil SPA/A	4.7
Profil SPB/B	4.12
Profil SPC/C	4.17
Keilrippenscheiben	4.21
Regelscheiben	4.25



Taper Lock® Keilriemenscheiben nach DIN 2211

Empfohlene Mindestdurchmesser für Schmalkeilriemenscheiben an Elektromotoren*

1/min	Motorleistung [kW]																			
	2,2	3,0	4,0	5,5	7,5	11,0	15,0	18,5	22	30	37	45	55	75	90	110	132	160	200	250
2880	63	63	67	75	80	85	100	112	125	112	132	140	150	170	190	212	224	250	265	315
1440	63	71	80	80	85	90	200	160	180	180	190	200	200	200	200	224	250	335	335	335
960	71	80	80	85	90	150	140	140	150	160	180	180	190	224	224	280	280	300	400	450
720	80	80	85	90	100	132	150	150	160	180	180	190	212	236	250	315	300	335	450	530

* Berechnungsgrundlagen sind die zulässigen Lagerbelastungen namhafter Motorenhersteller

Auswuchten

Allgemein

In einer Ebene, Gütestufe Q 16 nach VDI 2060

- für Wirkdurchmesser $P > 400$ mm ab $v = 30$ m/s oder
- für Wirkdurchmesser $P \leq 400$ mm ab $n = 1500$ 1/min

Die Auswuchtung wird ohne Nut auf glattem Wuchtdorn vorgenommen.

Nach Vereinbarung

Auswuchten nach VDI 2060, mit Nut ohne Passfeder und/oder in zwei Ebenen.

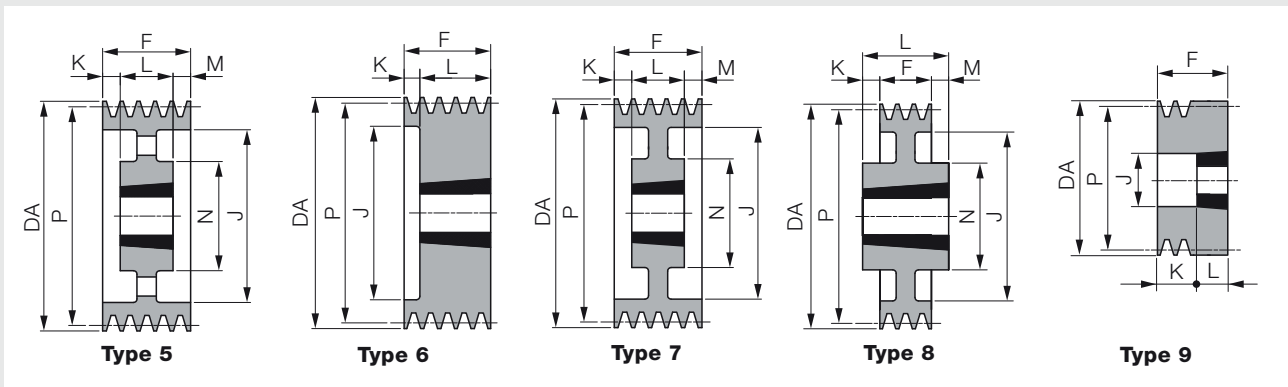
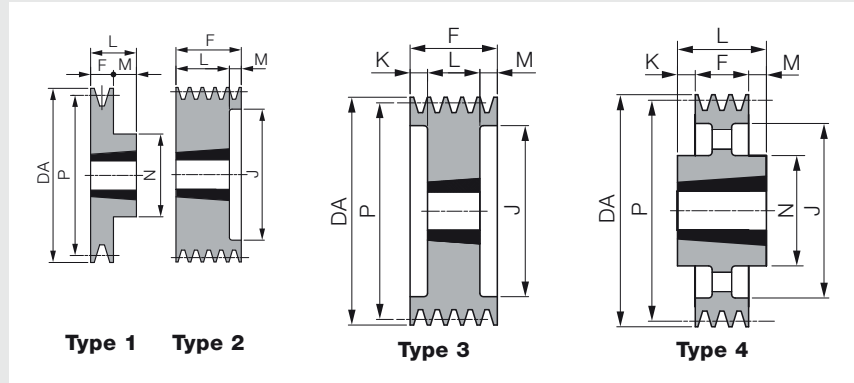
Empfehlung

in zwei Ebenen, Gütestufe Q 6,3 für Betriebsdrehzahl, wenn

- $v > 30$ m/s oder
- das Verhältnis Wirkdurchmesser zu Kranzbreite $P : F < 4$ ist bei $v > 20$ m/s

Keilriemenscheibe Taper Lock® Profil SPZ

Profil SPZ und Z/10.



Hinweise

- Hinsichtlich der Nabenlage kann es Abweichungen geben.
- * Type 6NR entspricht der Type 6, jedoch gibt es keine Hinterdrehung bei der Taper Lock® Buchsenaufnahme. Maß „J“ entspricht ungefähr dem kleinen Buchsendurchmesser.
- ^ Bei diesen Scheibengrößen dürfen nur flankenoffene, formgezahnte Keilriemen verwendet werden.

Materialbeschreibung

- Grauguss

Wirk-Ø P	Rillen- zahl	Buchse Nr.	Bohrung max.	Type	F	J	K	L	M	N	Außen-Ø DA	Gewicht in kg	Teile-Nr.	MEH
56 [^]	1	1008	25	9	37	35	15,0	22,0	-	-	60	0,50	T35915	STK
	2	1108	28	9	49	35	27,0	22,0	-	-	60	0,67	T35916	STK
60 [^]	1	1008	25	9	22	-	-	22,0	-	-	64	0,34	T35917	STK
	2	1108	28	9	49	36	27,0	22,0	-	-	64	0,72	T35918	STK
63	1	1108	28	1	16	-	-	22,0	6,0	-	67	0,26	T29703	STK
	2	1108	28	6NR*	28	38	6,0	22,0	-	-	67	0,33	T30221	STK
	3	1108	28	6NR*	40	38	18,0	22,0	-	-	67	0,40	T30260	STK
67	1	1108	28	1	16	-	-	22,0	6,0	60	71	0,31	T30195	STK
	2	1108	28	6NR*	28	38	6,0	22,0	-	-	71	0,34	T30222	STK
	3	1108	28	6NR*	40	38	18,0	22,0	-	-	71	0,48	T30261	STK
71	1	1108	28	1	16	-	-	22,0	6,0	60	75	0,34	T30196	STK
	2	1108	28	6NR*	28	42	6,0	22,0	-	-	75	0,43	T30223	STK
	3	1108	28	6NR*	40	42	18,0	22,0	-	-	75	0,57	T30262	STK
75	1	1108	28	1	16	-	-	22,0	6,0	60	79	0,40	T30197	STK
	2	1210	32	6NR*	28	46	3,0	25,0	-	-	79	0,43	T30224	STK
	3	1210	32	6NR*	40	46	15,0	25,0	-	-	79	0,60	T30263	STK

Fortsetzung nächste Seite

Keilriemenscheiben

Profil SPZ/Z

Wirk-Ø P	Rillen- zahl	Buchse Nr.	Bohrung max.	Type	F	J	K	L	M	N	Außen-Ø DA	Gewicht in kg	Teile-Nr.	MEH
80	1	1210	32	1	16	-	-	25,0	9,0	75	84	0,45	T30198	STK
	2	1210	32	1	28	-	-	25,0	-	-	84	0,48	T30225	STK
	3	1210	32	6NR*	40	51	15,0	25,0	-	-	84	0,68	T30264	STK
	4	1210	32	6	52	54	27,0	25,0	-	-	84	0,77	T30295	STK
85	1	1210	32	1	16	-	-	25,0	9,0	83	89	0,62	T30199	STK
	2	1610	42	1	28	-	-	25,0	-	-	89	0,52	T30226	STK
	3	1610	42	6NR*	40	56	15,0	25,0	-	-	89	0,74	T30265	STK
	4	1610	42	6	52	59	27,0	25,0	-	-	89	0,97	T30296	STK
	5	1610	42	6	64	59	39,0	25,0	-	-	89	1,20	T30341	STK
90	1	1210	32	1	16	-	-	25,0	9,0	83	94	0,71	T30200	STK
	2	1610	42	1	28	-	-	25,0	-	-	94	0,60	T30227	STK
	3	1610	42	6NR*	40	61	15,0	25,0	-	-	94	0,77	T30267	STK
	4	1610	42	6	52	64	27,0	25,0	-	-	94	1,00	T30297	STK
	5	1610	42	6	64	64	39,0	25,0	-	-	94	1,20	T30343	STK
	6	1610	42	3	76	61	49,5	26,5	-	-	94	1,53	T82966	STK
95	1	1210	32	1	16	-	-	25,0	9,0	83	99	0,80	T30201	STK
	2	1610	42	1	28	-	-	25,0	-	-	99	0,71	T30228	STK
	3	1610	42	6	40	66	-	25,0	15,0	-	99	0,97	T30268	STK
	4	1610	42	6	52	69	-	25,0	27,0	-	99	1,10	T30298	STK
	5	1610	42	6	64	69	-	25,0	39,0	-	99	1,40	T30344	STK
	6	1610	42	3	76	61	49,5	26,5	-	-	99	1,70	T82968	STK
100	1	1210	32	1	16	-	-	25,0	9,0	83	104	0,80	T30202	STK
	2	1610	42	1	28	-	-	25,0	-	-	104	0,79	T30229	STK
	3	1610	42	2	40	65	-	25,0	15,0	-	104	1,10	T30269	STK
	4	1610	42	2	52	74	-	25,0	27,0	-	104	1,20	T30299	STK
	5	2012	50	6	64	74	32,0	32,0	-	-	104	1,50	T30345	STK
	6	2012	50	3	76	71	42,5	33,5	-	-	104	1,81	T30383	STK
106	1	1610	32	1	16	-	-	25,0	9,0	92	111	0,50	T30203	STK
	2	1610	42	6NR*	28	77	3,0	25,0	-	-	111	0,60	T30230	STK
	3	1610	42	2	40	77	-	25,0	15,0	-	111	0,70	T30270	STK
	4	1610	42	2	52	80	-	25,0	27,0	-	111	0,80	T30300	STK
	5	2012	50	6	64	80	32,0	32,0	-	-	111	0,90	T30346	STK
	6	2012	50	3	76	77	42,5	33,5	-	-	110	1,10	T30384	STK
112	1	1610	42	1	16	-	-	25,0	9,0	92	116	1,00	T30204	STK
	2	1610	42	1	28	-	-	25,0	-	-	116	1,10	T30231	STK
	3	2012	50	2	40	83	-	32,0	8,0	-	116	1,30	T30271	STK
	4	2012	50	2	52	86	-	32,0	20,0	-	116	1,60	T30301	STK
	5	2012	50	2	64	86	-	32,0	32,0	-	116	1,80	T30347	STK
	6	2012	50	3	76	83	42,5	33,5	-	-	116	2,21	T82969	STK
118	1	1610	42	1	16	-	-	25,0	-	92	123	0,70	T30205	STK
	2	1610	42	7	28	89	-	25,0	3,0	85	123	1,20	T30232	STK
	3	2012	50	2	40	89	-	32,0	8,0	-	123	1,50	T30272	STK
	4	2012	50	2	52	92	-	32,0	20,0	-	123	2,00	T30302	STK
	5	2012	50	2	64	92	-	32,0	32,0	-	123	2,00	T30349	STK
	6	2517	60	6	76	92	31,0	45,0	-	-	123	2,30	T30386	STK
125	1	1610	42	1	16	-	-	25,0	9,0	88	129	1,20	T30206	STK
	2	1610	42	7	28	85	-	25,0	3,0	85	129	1,60	T30233	STK
	3	2012	50	2	40	99	-	32,0	8,0	-	129	1,90	T30273	STK
	4	2012	50	2	52	99	-	32,0	20,0	-	129	2,20	T30303	STK
	5	2012	50	2	64	99	-	32,0	32,0	-	129	2,30	T30350	STK
	6	2517	60	2	76	99	-	45,0	31,0	-	129	2,50	T35921	STK

Wirk-Ø P	Rillen- zahl	Buchse Nr.	Bohrung max.	Type	F	J	K	L	M	N	Außen-Ø DA	Gewicht in kg	Teile-Nr.	MEH
132	1	1610	42	1	16	-	-	25,0	10,5	92	137	1,40	T30207	STK
	2	1610	42	7	28	103	-	25,0	3,0	85	137	1,80	T30234	STK
	3	2012	50	2	40	103	-	32,0	8,0	-	137	2,10	T30274	STK
	4	2012	50	2	52	106	-	32,0	20,0	-	137	2,40	T30304	STK
	5	2517	60	2	64	106	-	45,0	19,0	-	137	2,80	T30351	STK
	6	2517	60	2	76	106	-	45,0	31,0	-	137	3,20	T30388	STK
140	1	1610	42	1	16	-	-	25,0	9,0	88	144	1,50	T30208	STK
	2	1610	42	7	28	85	-	25,0	3,0	85	144	2,10	T30235	STK
	3	2012	50	2	40	114	-	32,0	8,0	-	144	2,60	T30275	STK
	4	2012	50	2	52	114	-	32,0	20,0	-	144	2,90	T30305	STK
	5	2517	60	2	64	111	-	45,0	19,0	-	144	3,30	T30353	STK
	6	2517	60	2	76	114	-	45,0	31,0	-	144	3,60	T30389	STK
150	1	1610	42	7	16	-	-	25,0	9,0	85	154	1,30	T30209	STK
	2	2012	50	7	28	-	-	32,0	4,0	95	154	2,00	T30236	STK
	3	2012	50	2	40	124	-	32,0	8,0	-	154	3,00	T30276	STK
	4	2517	60	2	52	124	-	45,0	7,0	-	154	3,50	T30306	STK
	5	2517	60	2	64	124	-	45,0	19,0	-	154	4,00	T30354	STK
	6	2517	60	2	76	124	-	45,0	31,0	-	154	4,20	T30390	STK
160	1	1610	42	1	16	-	-	25,0	9,0	88	164	2,10	T30210	STK
	2	2012	50	1	28	-	-	32,0	4,0	108	164	3,10	T30237	STK
	3	2012	50	2	40	134	-	32,0	8,0	-	164	3,60	T30277	STK
	4	2517	60	2	52	134	-	45,0	7,0	-	164	4,30	T30307	STK
	5	2517	60	2	64	131	-	45,0	19,0	-	164	4,80	T30356	STK
	6	2517	60	2	76	134	-	45,0	31,0	-	164	5,30	T30391	STK
180	1	1610	42	1	16	-	-	25,0	9,0	88	184	2,60	T30211	STK
	2	2012	50	8	28	-	-	32,0	4,0	108	184	4,10	T30238	STK
	3	2012	50	2	40	154	-	32,0	8,0	-	184	4,90	T30278	STK
	4	2517	60	2	52	154	-	45,0	7,0	-	184	6,10	T30308	STK
	5	2517	60	2	64	151	-	45,0	19,0	-	184	6,60	T30358	STK
	6	2517	60	2	76	154	-	45,0	31,0	-	184	7,00	T30392	STK
190	1	1610	42	1	16	-	-	25,0	9,0	92	194	1,80	T82970	STK
	2	2012	50	1	28	-	-	32,0	4,0	112	194	2,60	T82971	STK
	3	2012	50	6	40	161	-	32,0	8,0	112	194	4,90	T82972	STK
	4	2517	65	6	52	161	-	45,0	7,0	124	194	5,30	T82973	STK
	5	2517	65	6	64	161	-	45,0	19,0	124	194	6,30	T82974	STK
	6	2517	65	6	76	161	-	45,0	31,0	124	194	6,90	T82975	STK
200	1	2012	50	1	16	-	-	32,0	16,0	108	204	3,60	T30212	STK
	2	2012	50	8	28	-	-	32,0	4,0	108	204	5,30	T30239	STK
	3	2012	50	7	40	171	-	32,0	8,0	108	204	6,20	T30279	STK
	4	2517	60	7	52	171	3,5	45,0	3,5	120	204	7,90	T30309	STK
	5	2517	60	7	64	171	9,5	45,0	9,5	120	204	8,70	T30359	STK
	6	2517	60	7	76	171	15,5	45,0	15,5	120	204	9,20	T30393	STK
224	1	2012	50	8	16	199	8,0	32,0	8,0	105	228	2,50	T30213	STK
	2	2012	50	8	28	199	2,0	32,0	2,0	105	228	3,20	T30240	STK
	3	2012	50	7	40	196	-	32,0	8,0	105	228	3,80	T30280	STK
	4	2517	60	7	52	196	3,5	45,0	3,5	120	228	6,00	T30310	STK
	5	2517	60	7	64	196	9,5	45,0	9,5	120	228	8,30	T30373	STK
	6	2517	60	7	76	196	15,5	45,0	15,5	120	228	9,00	T30394	STK

Fortsetzung nächste Seite

Keilriemenscheiben Profil SPZ/Z

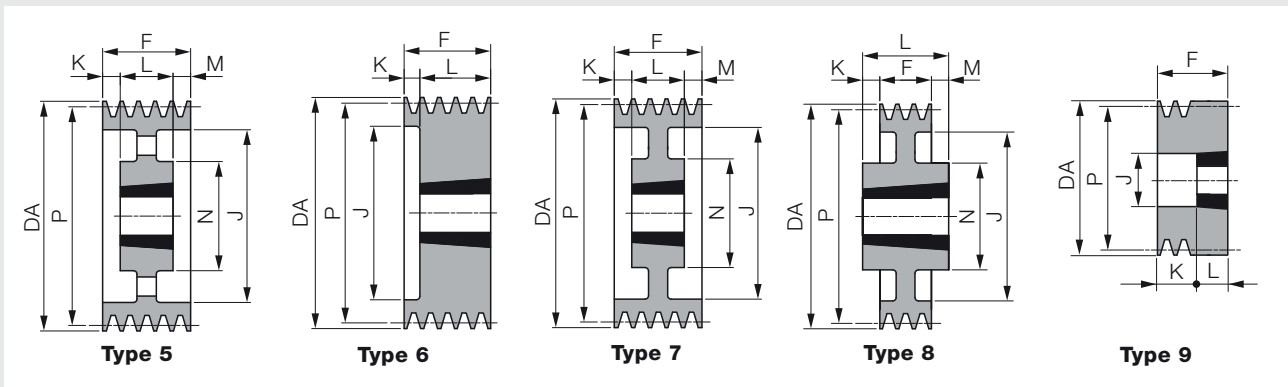
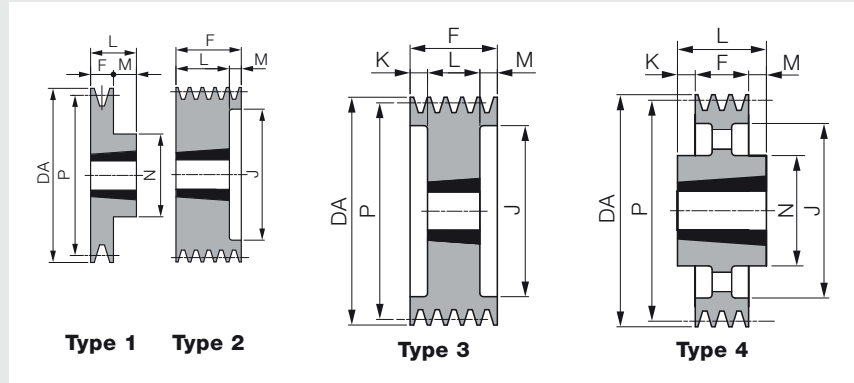
Wirk-Ø P	Rillen- zahl	Buchse Nr.	Bohrung max.	Type	F	J	K	L	M	N	Außen-Ø DA	Gewicht in kg	Teile-Nr.	MEH
250	1	2012	50	8	16	221	-	32,0	16,0	112	254	3,60	T30214	STK
	2	2012	50	8	28	221	-	32,0	4,0	112	254	4,50	T30241	STK
	3	2012	50	7	40	221	4,0	32,0	4,0	112	254	5,20	T30281	STK
	4	2517	60	5	52	224	3,5	45,0	3,5	120	254	6,60	T30311	STK
	5	2517	60	5	64	224	9,5	45,0	9,5	120	254	7,80	T30374	STK
	6	2517	60	5	76	224	15,5	45,0	15,5	120	254	8,40	T30395	STK
280	1	2012	50	8	16	254	8,0	32,0	8,0	105	284	4,10	T30215	STK
	2	2012	50	8	28	254	2,0	32,0	2,0	105	284	5,00	T30242	STK
	3	2517	60	8	40	254	2,5	45,0	2,5	120	284	6,30	T30282	STK
	4	2517	60	5	52	254	3,5	45,0	3,5	120	284	7,80	T30312	STK
	5	2517	60	5	64	254	9,5	45,0	9,5	120	284	8,00	T30375	STK
	6	2517	60	5	76	254	15,5	45,0	15,5	120	284	9,00	T30396	STK
315	1	2012	50	8	16	286	8,0	32,0	8,0	112	319	4,50	T30216	STK
	2	2012	50	8	28	286	-	32,0	4,0	112	319	5,50	T30243	STK
	3	2517	60	8	40	286	-	45,0	5,0	124	319	7,30	T30283	STK
	4	2517	60	5	52	289	3,5	45,0	3,5	120	319	8,90	T30313	STK
	5	2517	60	5	64	289	9,5	45,0	9,5	120	319	10,40	T30376	STK
	6	2517	60	5	76	289	15,5	45,0	15,5	120	319	11,70	T30397	STK
355	1	2012	50	8	16	329	8,0	32,0	8,0	105	359	5,60	T30217	STK
	2	2012	50	8	28	329	2,0	32,0	2,0	105	359	7,30	T30244	STK
	3	2517	60	8	40	329	2,5	45,0	2,5	120	359	8,80	T30284	STK
	4	2517	60	5	52	329	3,5	45,0	3,5	120	359	10,60	T30314	STK
	5	2517	60	5	64	329	9,5	45,0	9,5	120	359	1,50	T30377	STK
	6	2517	60	5	76	329	15,5	45,0	15,5	120	359	15,30	T30398	STK
400	1	2012	50	4	16	371	8,0	32,0	8,0	112	404	6,60	T30218	STK
	2	2517	60	4	28	371	8,5	45,0	8,5	124	404	9,00	T30245	STK
	3	2517	60	4	40	371	2,5	45,0	2,5	124	404	10,00	T30285	STK
	4	2517	60	5	52	371	3,5	45,0	3,5	124	404	12,20	T30315	STK
	5	3020	75	5	64	371	6,5	51,0	6,5	159	404	14,00	T30378	STK
	6	3030	75	5	76	371	-	76,0	-	146	404	17,95	T82977	STK
450	2	2517	60	5	28	421	8,5	45,0	8,5	124	454	11,10	T30246	STK
	3	2517	60	5	40	421	2,5	45,0	2,5	124	454	13,40	T30286	STK
	4	3020	75	6	52	421	0,5	51,0	0,5	159	454	15,70	T30316	STK
	5	3020	75	6	64	421	6,5	51,0	6,5	159	454	18,25	T30379	STK
	6	3030	75	5	76	421	-	76,0	-	146	454	21,50	T30400	STK
	500	2	2517	60	4	28	471	8,5	45,0	8,5	124	504	13,10	T30247
3		2517	60	4	40	471	2,5	45,0	2,5	124	504	16,80	T30287	STK
4		3020	75	5	52	471	0,5	51,0	0,5	159	504	19,00	T30317	STK
5		3030	75	5	64	471	6,0	76,0	6,0	146	504	22,50	T82978	STK
6		3030	75	5	76	471	-	76,0	-	146	504	24,52	T82979	STK
630		2	2517	60	5	28	601	8,5	45,0	8,5	124	634	18,60	T30248
	3	2517	60	4	40	601	2,5	45,0	2,5	124	634	22,20	T30288	STK
	4	3020	75	5	52	601	0,5	51,0	0,5	146	634	27,20	T30318	STK
	5	3030	75	5	64	601	6,0	76,0	6,0	146	634	28,37	T82981	STK
	6	3535	90	5	76	601	6,5	89,0	6,5	178	634	34,76	T82982	STK

Bestellhinweis

Lieferung ohne Taper Lock® Spannbuchse.
Alle Maße in mm.

Keilriemenscheibe Taper Lock® Profil SPA

Profil SPA und A/13.



Hinweise

- Hinsichtlich der Nabenlage kann es Abweichungen geben.
- * Type 6NR entspricht der Type 6, jedoch gibt es keine Hinterdrehung bei der Taper Lock® Buchsenaufnahme. Maß „J“ entspricht ungefähr dem kleinen Buchsendurchmesser.
- ^ Bei diesen Scheibengrößen dürfen nur flankenoffene, formgezahnte Keilriemen verwendet werden.

Materialbeschreibung

- Grauguss

Wirk-Ø P	Rillen- zahl	Buchse Nr.	Bohrung max.	Type	F	J	K	L	M	N	Außen-Ø DA	Gewicht in kg	Teile-Nr.	MEH
63 [^]	1	1108	28	9	20	31	18,0	40,0	-	68,5	69	0,60	T82927	STK
	2	1108	28	9	35	31	33,0	55,0	-	68,5	69	0,80	T82928	STK
67 [^]	1	1108	28	1	20	-	-	22,0	2,0	60,0	73	0,30	T82929	STK
	2	1108	28	3	35	35	13,0	22,0	-	-	73	0,50	T82930	STK
71 [^]	1	1108	28	1	20	-	-	22,0	2,0	60,0	77	0,30	T82931	STK
	2	1108	28	3	35	39	13,0	22,0	-	-	77	0,50	T82932	STK
	3	1108	28	3	50	39	28,0	22,0	-	-	77	0,70	T82933	STK
75 [^]	1	1108	28	1	20	-	-	22,0	2,0	60,0	81	0,40	T82934	STK
	2	1108	28	3	35	43	13,0	22,0	-	-	81	0,60	T82935	STK
	3	1108	28	3	50	43	28,0	22,0	-	-	81	0,80	T82936	STK
80 [^]	1	1210	32	1	20	-	-	25,0	5,0	84,0	86	0,55	T30406	STK
	2	1210	32	6NR*	35	50	10,0	25,0	-	-	86	0,62	T30436	STK
	3	1210	32	6NR*	50	50	25,0	25,0	-	-	86	0,83	T30467	STK
85	1	1210	32	1	20	-	-	25,0	5,0	88,0	91	0,68	T30407	STK
	2	1210	32	6NR*	35	57	10,0	25,0	-	-	91	0,76	T30437	STK
	3	1210	32	6NR*	50	55	25,0	25,0	-	-	91	1,00	T30468	STK

Fortsetzung nächste Seite

Keilriemenscheiben Profil SPA/A

Wirk-Ø P	Rillen- zahl	Buchse Nr.	Bohrung max.	Type	F	J	K	L	M	N	Außen-Ø DA	Gewicht in kg	Teile-Nr.	MEH
90	1	1210	32	1	20	-	-	25,0	5,0	93,0	96	0,68	T30408	STK
	2	1610	42	6NR*	35	64	10,0	25,0	-	-	96	0,91	T30438	STK
	3	1610	42	6NR*	50	62	25,0	25,0	-	-	96	0,99	T30469	STK
	4	1610	42	6NR*	65	62	40,0	25,0	-	-	96	1,30	T30497	STK
95	1	1210	32	1	20	-	-	25,0	5,0	98,0	101	0,79	T30409	STK
	2	1610	42	6NR*	35	65	10,0	25,0	-	-	101	0,85	T30439	STK
	3	1610	42	6NR*	50	65	25,0	25,0	-	-	101	1,10	T30470	STK
	4	1610	42	6NR*	65	65	40,0	25,0	-	-	101	1,50	T30498	STK
100	1	1610	42	1	20	-	-	25,0	5,0	92,0	106	0,79	T30410	STK
	2	1610	42	6NR*	35	65	10,0	25,0	-	-	106	0,94	T30440	STK
	3	1610	42	2	50	69	-	25,0	25,0	-	106	1,25	T30471	STK
	4	1610	42	2	65	69	-	25,0	40,0	-	106	1,70	T30499	STK
	5	1615	42	3	80	69	15,0	25,0	40,0	-	106	2,00	T30592	STK
	6	1610	42	3	95	65	55,5	39,5	-	-	106	2,40	T30616	STK
106	1	1610	42	1	20	-	-	25,0	5,0	92,0	112	0,90	T30411	STK
	2	1610	42	6NR*	35	71	10,0	25,0	-	-	112	1,10	T30441	STK
	3	1610	42	2	50	71	-	25,0	25,0	-	112	1,30	T30472	STK
	4	2012	50	6NR*	65	75	33,0	32,0	-	-	112	1,80	T30500	STK
	5	2012	50	6	80	74	48,0	32,0	-	-	112	2,10	T30593	STK
	6	2012	50	3	95	71	61,5	33,5	-	-	112	2,60	T30617	STK
112	1	1610	42	1	20	-	-	25,0	5,0	92,0	118	1,00	T30412	STK
	2	1610	42	6NR*	35	77	10,0	25,0	-	-	118	1,30	T30442	STK
	3	2012	50	6NR*	50	77	18,0	32,0	-	-	118	1,40	T30473	STK
	4	2012	50	6NR*	65	77	33,0	32,0	-	-	118	1,90	T30501	STK
	5	2012	50	6	80	80	48,0	32,0	-	-	118	2,20	T30594	STK
	6	2012	50	3	95	77	61,5	33,5	-	-	118	2,70	T30618	STK
118	1	1610	42	1	20	-	-	25,0	5,0	92,0	124	1,20	T30413	STK
	2	1610	42	6NR*	35	84	10,0	25,0	-	-	124	1,50	T30443	STK
	3	2012	50	2	50	84	-	32,0	18,0	-	124	1,60	T30474	STK
	4	2012	50	2	65	84	-	32,0	33,0	-	124	2,20	T30502	STK
	5	2012	50	2	80	86	-	32,0	48,0	-	124	2,50	T30595	STK
	6	2012	50	3	95	83	61,5	33,5	-	-	124	2,85	T30619	STK
125	1	1610	42	1	20	-	-	25,0	5,0	83,0	131	1,30	T30414	STK
	2	1610	42	2	35	93	-	25,0	10,0	-	131	1,70	T30444	STK
	3	2012	50	2	50	93	-	32,0	18,0	-	131	1,80	T30475	STK
	4	2012	50	2	65	93	-	32,0	33,0	-	131	2,40	T30503	STK
	5	2012	50	3	80	93	24,0	32,0	24,0	-	131	2,80	T30596	STK
	6	2012	50	4	95	90	31,5	32,0	31,5	-	131	3,20	T30620	STK
132	1	1610	42	1	20	-	-	25,0	5,0	85,0	138	1,60	T30415	STK
	2	2012	50	2	35	95	-	32,0	3,0	-	138	2,10	T30445	STK
	3	2012	50	2	50	100	-	32,0	18,0	-	138	2,20	T30476	STK
	4	2517	60	2	65	102	-	45,0	20,0	-	138	2,90	T30504	STK
	5	2517	60	3	80	100	17,5	45,0	17,5	-	138	3,20	T30597	STK
	6	2517	60	4	95	97	25,0	45,0	25,0	-	138	3,80	T30621	STK
140	1	1610	42	1	20	-	-	25,0	5,0	85,0	146	1,70	T30416	STK
	2	2012	50	7	35	108	-	32,0	3,0	95,0	146	2,50	T30446	STK
	3	2517	60	2	50	108	-	45,0	5,0	-	146	2,70	T30477	STK
	4	2517	60	2	65	108	-	45,0	20,0	-	146	3,20	T30505	STK
	5	2517	60	3	80	108	17,5	45,0	17,5	-	146	3,60	T30598	STK
	6	2517	60	4	95	105	25,0	45,0	25,0	-	146	4,10	T30622	STK

Wirk-Ø P	Rillen- zahl	Buchse Nr.	Bohrung max.	Type	F	J	K	L	M	N	Außen-Ø DA	Gewicht in kg	Teile-Nr.	MEH
150	1	1610	42	1	20	-	-	25,0	5,0	85,0	156	1,70	T30417	STK
	2	2012	50	7	35	118	-	32,0	3,0	95,0	156	2,90	T30447	STK
	3	2517	60	2	50	118	-	45,0	5,0	-	156	3,90	T30478	STK
	4	2517	60	2	65	118	-	45,0	20,0	-	156	4,10	T30506	STK
	5	2517	60	3	80	118	17,5	45,0	17,5	-	156	4,40	T30599	STK
	6	2517	60	4	95	115	25,0	45,0	25,0	-	156	4,90	T30623	STK
160	1	1610	42	1	20	-	-	25,0	5,0	88,0	166	1,80	T30418	STK
	2	2012	50	7	35	125	-	32,0	3,0	108,0	166	3,30	T30448	STK
	3	2517	60	2	50	128	-	45,0	5,0	-	166	4,10	T30479	STK
	4	2517	60	2	65	128	-	45,0	20,0	-	166	4,70	T30507	STK
	5	2517	60	3	80	128	17,5	45,0	17,5	-	166	5,20	T30600	STK
	6	2517	60	4	95	125	25,0	45,0	25,0	-	166	5,70	T30624	STK
170	1	1610	42	5	20	135	-	25,0	5,0	92,0	176	2,00	T30419	STK
	2	2012	50	2	35	135	-	32,0	3,0	-	176	3,10	T30449	STK
	3	2517	65	2	50	135	-	45,0	5,0	-	176	4,60	T30480	STK
	4	2517	65	2	65	135	-	45,0	20,0	-	176	5,50	T82937	STK
	5	3020	75	2	80	135	-	51,0	29,0	-	176	5,90	T82938	STK
	6	3020	75	4	95	135	22,0	51,0	22,0	-	176	6,50	T82939	STK
180	1	1610	42	1	20	-	-	25,0	5,0	88,0	186	2,10	T30420	STK
	2	2012	50	7	35	148	-	32,0	3,0	108,0	186	4,80	T30450	STK
	3	2517	60	2	50	148	-	45,0	5,0	-	186	5,70	T30481	STK
	4	2517	60	2	65	148	-	45,0	20,0	-	186	6,30	T30508	STK
	5	3020	75	3	80	148	14,5	51,0	14,5	-	186	6,40	T30601	STK
	6	3020	75	4	95	145	22,0	51,0	22,0	-	186	7,00	T30625	STK
190	1	1610	42	5	20	155	-	25,0	5,0	92,0	196	2,30	T30421	STK
	2	2012	55	6	35	155	-	32,0	3,0	110,0	196	3,80	T81488	STK
	3	2517	65	2	50	155	-	45,0	5,0	-	196	5,40	T30482	STK
	4	2517	65	2	65	155	-	45,0	20,0	-	196	6,80	T30509	STK
	5	3020	75	2	80	155	-	51,0	29,0	-	196	7,40	T30602	STK
	6	3020	75	4	95	155	22,0	51,0	22,0	-	196	8,10	T82940	STK
200	1	2012	50	1	20	-	-	32,0	12,0	108,0	206	2,90	T30423	STK
	2	2517	60	8	35	162	-	45,0	10,0	123,0	206	5,00	T30452	STK
	3	2517	60	7	50	162	-	45,0	5,0	123,0	206	6,90	T30483	STK
	4	3020	75	2	65	162	-	51,0	14,0	-	206	7,80	T30510	STK
	5	3020	75	3	80	162	14,5	51,0	14,5	-	206	8,70	T30603	STK
	6	3030	75	4	95	165	22,0	51,0	22,0	-	206	9,60	T82941	STK
212	1	2012	50	5	20	177	-	32,0	12,0	112,0	218	2,70	T30425	STK
	2	2517	65	5	35	177	-	45,0	10,0	124,0	218	4,30	T30453	STK
	3	2517	65	6	50	177	-	45,0	5,0	124,0	218	5,20	T30484	STK
	4	3020	75	2	65	177	-	51,0	14,0	-	218	7,30	T82942	STK
	5	3020	75	2	80	177	-	51,0	29,0	-	218	8,20	T82943	STK
	6	3020	75	4	95	177	22,0	51,0	22,0	-	218	9,20	T82944	STK
224	1	2012	50	8	20	189	-	32,0	12,0	112,0	232	3,50	T30426	STK
	2	2517	60	8	35	189	-	45,0	10,0	124,0	232	5,30	T30454	STK
	3	2517	60	7	50	189	2,5	45,0	2,5	124,0	232	7,00	T30485	STK
	4	3020	75	2	65	189	-	51,0	14,0	-	232	8,80	T30511	STK
	5	3020	75	7	80	193	14,5	51,0	14,5	145,0	232	9,70	T30604	STK
	6	3020	75	7	95	189	22,0	51,0	22,0	-	232	10,60	T82945	STK

Fortsetzung nächste Seite

Keilriemenscheiben

Profil SPA/A

Wirk-Ø P	Rillen- zahl	Buchse Nr.	Bohrung max.	Type	F	J	K	L	M	N	Außen-Ø DA	Gewicht in kg	Teile-Nr.	MEH
236	1	2012	50	7	20	201	-	32,0	12,0	112,0	242	2,80	T30427	STK
	2	2517	65	5	35	201	-	45,0	10,0	124,0	242	4,60	T30455	STK
	3	2517	65	6	50	201	2,5	45,0	2,5	124,0	242	5,70	T30486	STK
	4	3020	75	2	65	201	-	52,5	12,5	-	242	7,80	T30512	STK
	5	3020	75	2	80	201	-	52,5	27,5	-	242	8,70	T30605	STK
	6	3020	75	4	95	201	22,0	51,0	22,0	-	242	9,70	T82946	STK
250	1	2012	50	8	20	215	-	32,0	12,0	112,0	256	3,90	T30428	STK
	2	2517	60	8	35	215	-	45,0	10,0	124,0	256	5,60	T30456	STK
	3	2517	60	7	50	215	2,5	45,0	2,5	124,0	256	7,10	T30487	STK
	4	3020	75	7	65	215	-	51,0	7,0	159,0	256	9,70	T30513	STK
	5	3020	75	7	80	218	14,5	51,0	14,5	145,0	256	10,80	T30606	STK
	6	3020	75	6	95	215	22,0	51,0	22,0	159,0	256	10,00	T30628	STK
280	1	2012	50	8	20	245	-	32,0	12,0	112,0	286	4,40	T30429	STK
	2	2517	60	8	35	245	-	45,0	10,0	124,0	286	6,40	T30457	STK
	3	2517	60	7	50	245	2,5	45,0	2,5	124,0	286	10,80	T30488	STK
	4	3020	75	7	65	245	7,0	51,0	7,0	159,0	286	12,20	T30514	STK
	5	3020	90	7	80	245	14,5	51,0	14,5	178,0	286	15,40	T82947	STK
	6	3535	90	7	95	245	3,0	89,0	3,0	178,0	286	19,10	T30629	STK
300	1	2012	50	7	20	265	-	32,0	12,0	112,0	306	3,50	T30430	STK
	2	2517	65	7	35	265	-	45,0	10,0	124,0	306	5,80	T30458	STK
	3	3020	75	5	50	265	0,5	51,0	0,5	159,0	306	7,40	T30489	STK
	4	3020	75	6	65	265	7,0	51,0	7,0	159,0	306	9,30	T30516	STK
	5	3535	90	6	80	265	7,5	65,0	7,5	178,0	306	13,50	T82949	STK
	6	3535	90	7	95	245	3,0	89,0	3,0	178,0	306	19,10	T82948	STK
315	1	2012	50	8	20	284	-	32,0	12,0	112,0	321	4,90	T30431	STK
	2	2517	60	8	35	280	-	45,0	10,0	124,0	321	7,20	T30459	STK
	3	3020	75	8	50	280	-	51,0	1,0	159,0	321	13,60	T30490	STK
	4	3020	75	7	65	280	7,0	51,0	7,0	159,0	321	14,50	T30517	STK
	5	3535	90	8	80	280	4,5	89,0	4,5	178,0	321	19,96	T82950	STK
	6	3535	90	7	95	280	3,0	89,0	3,0	178,0	321	24,00	T30630	STK
355	1	2012	50	4	20	323	6,0	32,0	6,0	105,0	361	5,70	T30432	STK
	2	2517	60	4	35	323	5,0	45,0	5,0	120,0	361	6,50	T30460	STK
	3	3020	75	5	50	323	0,5	51,0	0,5	145,0	361	12,00	T30491	STK
	4	3020	75	5	65	323	7,0	51,0	7,0	145,0	361	15,50	T30519	STK
	5	3535	90	5	80	320	4,5	89,0	4,5	178,0	361	19,90	T82951	STK
	6	3535	90	6	95	320	3,0	89,0	3,0	178,0	361	24,20	T82952	STK
400	1	2012	50	4	20	365	-	32,0	12,0	112,0	406	6,30	T30433	STK
	2	2517	60	4	35	365	-	45,0	10,0	124,0	406	10,80	T30461	STK
	3	3020	75	4	50	365	0,5	51,0	0,5	159,0	406	14,50	T30492	STK
	4	3020	75	5	65	365	7,0	51,0	7,0	159,0	406	16,30	T30520	STK
	5	3535	90	5	80	365	4,5	89,0	4,5	178,0	406	19,93	T82953	STK
	6	3535	90	6	95	365	3,0	89,0	3,0	178,0	406	25,10	T30632	STK
450	1	2012	60	4	20	418	12,5	45,0	12,5	120,0	456	6,20	T30434	STK
	2	2517	60	4	35	418	5,0	45,0	5,0	120,0	456	14,00	T30462	STK
	3	3020	75	5	50	418	0,5	51,0	0,5	145,0	456	17,20	T30493	STK
	4	3020	75	5	65	418	7,0	51,0	7,0	145,0	456	20,30	T30521	STK
	5	3535	90	5	80	415	4,5	89,0	4,5	178,0	456	29,90	T82954	STK
	6	3535	90	6	95	415	3,0	89,0	3,0	178,0	456	40,00	T30633	STK
500	2	2517	60	4	35	468	-	45,0	10,0	120,0	506	16,30	T30463	STK
	3	3020	75	4	50	468	0,5	51,0	0,5	145,0	506	19,80	T30494	STK
	4	3020	75	5	65	468	7,0	51,0	7,0	145,0	506	24,30	T30522	STK
	5	3535	90	5	80	465	4,5	89,0	4,5	178,0	506	39,78	T82955	STK
	6	3535	90	6	95	465	3,0	89,0	3,0	178,0	506	54,20	T30634	STK

Wirk-Ø P	Rillen- zahl	Buchse Nr.	Bohrung max.	Type	F	J	K	L	M	N	Außen-Ø DA	Gewicht in kg	Teile-Nr.	MEH
560	2	3020	75	5	35	525	-	51,0	16,0	159,0	566	18,60	T30464	STK
	3	3020	75	5	50	525	0,5	51,0	0,5	159,0	566	24,30	T82956	STK
	4	3535	90	5	65	525	12,0	89,0	12,0	178,0	566	30,40	T30523	STK
	5	3535	90	5	80	525	4,5	89,0	4,5	178,0	566	41,20	T30614	STK
	6	3535	90	6	95	525	3,0	89,0	3,0	178,0	566	55,10	T30635	STK
630	2	3020	75	4	35	598	-	51,0	16,0	159,0	636	20,80	T30465	STK
	3	3020	75	4	50	598	0,5	51,0	0,5	159,0	636	28,50	T30496	STK
	4	3535	90	5	65	595	12,0	89,0	12,0	178,0	636	36,26	T82957	STK
	5	3535	90	5	80	595	4,5	89,0	4,5	178,0	636	42,16	T82958	STK
	6	4040	100	5	95	595	3,5	102,0	3,5	216,0	636	56,30	T30636	STK
800	3	3535	90	5	50	765	19,5	89,0	19,5	178,0	806	42,00	T35922	STK
	4	3535	90	5	65	765	12,0	89,0	12,0	178,0	806	55,00	T35923	STK
	5	4040	100	5	80	765	11,0	102,0	11,0	216,0	806	64,00	T82959	STK
	6	4040	100	5	95	765	3,5	102,0	3,5	216,0	806	76,00	T35925	STK
1.000	3	3535	90	5	50	965	19,5	89,0	19,5	178,0	1.006	56,00	T82960	STK
	4	4040	100	5	65	965	18,5	102,0	18,5	216,0	1.006	65,00	T82961	STK
	5	4545	110	5	80	565	17,0	114,0	17,0	242,0	1.006	83,00	T82963	STK
	6	4545	110	5	95	965	9,5	114,0	9,5	242,0	1.006	88,00	T82964	STK

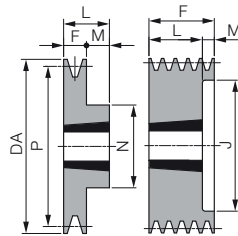
Bestellhinweis

Lieferung ohne Taper Lock® Spannbuchse.
Alle Maße in mm.

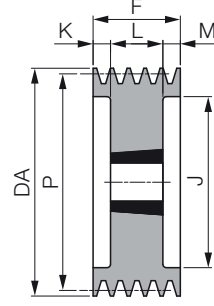


Keilriemenscheibe Taper Lock® Profil SPB

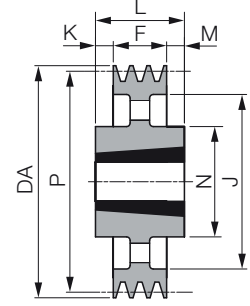
Profil SPB und B/17.



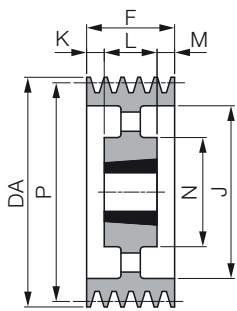
Type 1 Type 2



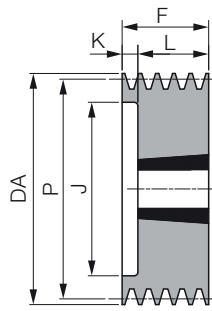
Type 3



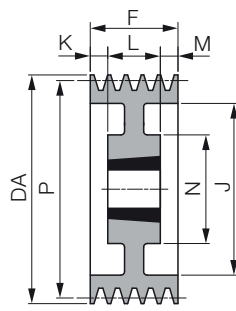
Type 4



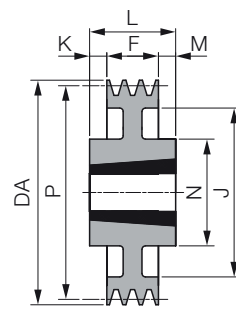
Type 5



Type 6



Type 7



Type 8

Hinweise

- Hinsichtlich der Nabenlage kann es Abweichungen geben.
- ^ Bei diesen Scheibengrößen dürfen nur flankenoffene, formgezahnte Keilriemen verwendet werden.

Materialbeschreibung

- Grauguss

Wirk-Ø P	Rillen- zahl	Buchse Nr.	Bohrung max.	Type	F	J	K	L	M	N	Außen-Ø DA	Gewicht in kg	Teile-Nr.	MEH
100 [^]	1	1610	42	1	25	-	-	25,0	-	-	107	0,90	T82890	STK
	2	1610	42	2	44	62	19,0	25,0	-	-	107	1,20	T82891	STK
	3	1610	42	2	63	57	38,0	25,0	-	-	107	1,70	T82892	STK
106 [^]	1	1610	42	1	25	-	-	25,0	-	-	113	1,00	T82893	STK
	2	1610	42	2	44	67	19,0	25,0	-	-	113	1,30	T82894	STK
	3	1610	42	2	63	67	38,0	25,0	-	-	113	1,80	T82895	STK
112 [^]	1	1610	42	1	25	-	-	25,0	-	-	119	1,50	T65783	STK
	2	1610	42	2	44	72	19,0	-	25,0	-	119	1,50	T31212	STK
	3	1610	42	3	63	72	-	-	63,0	-	119	1,70	T31213	STK
118 [^]	1	1610	42	1	25	-	-	25,0	-	-	125	1,30	T65784	STK
	2	2012	50	6	44	76	12,0	32,0	-	-	125	1,70	T35926	STK
	3	2012	50	6	63	76	31,0	32,0	-	-	125	2,30	T35927	STK
125 [^]	1	1610	42	1	25	-	-	25,0	-	-	132	1,50	T30651	STK
	2	2012	50	2	44	82	-	32,0	12,0	-	132	2,10	T30666	STK
	3	2012	50	2	63	82	-	32,0	31,0	-	132	2,70	T30707	STK
	4	2012	50	2	82	82	25,0	32,0	25,0	-	132	3,40	T30733	STK
	5	2012	50	2	101	82	69,0	32,0	-	-	132	3,70	T35928	STK

Wirk-Ø P	Rillen- zahl	Buchse Nr.	Bohrung max.	Type	F	J	K	L	M	N	Außen-Ø DA	Gewicht in kg	Teile-Nr.	MEH
132 [^]	1	1610	42	1	25	-	-	25,0	-	-	139	1,80	T30652	STK
	2	2012	50	2	44	89	-	32,0	12,0	-	139	2,40	T30667	STK
	3	2012	50	2	63	89	-	32,0	31,0	-	139	3,10	T30708	STK
	4	2012	50	2	82	89	25,0	32,0	25,0	-	139	3,70	T30734	STK
	5	2517	60	6	101	89	56,0	45,0	-	-	139	3,80	T35929	STK
140	1	1610	42	1	25	-	-	25,0	-	-	147	2,00	T30653	STK
	2	2012	50	2	44	97	-	32,0	12,0	-	147	2,80	T30668	STK
	3	2012	50	2	63	97	-	32,0	31,0	-	147	3,50	T30709	STK
	4	2517	60	3	82	97	18,5	45,0	18,5	-	147	4,00	T30735	STK
	5	2517	60	3	101	97	28,0	45,0	28,0	-	147	4,80	T30767	STK
	6	2517	60	3	120	97	37,5	45,0	37,5	-	147	5,50	T30792	STK
150	1	1610	42	1	25	-	-	25,0	-	-	157	2,40	T30654	STK
	2	2012	50	2	44	107	-	32,0	12,0	-	157	3,30	T30669	STK
	3	2517	60	2	63	107	-	45,0	18,0	-	157	4,10	T30710	STK
	4	2517	60	3	82	107	18,5	45,0	18,5	-	157	4,90	T30736	STK
	5	2517	60	3	101	107	28,0	45,0	28,0	-	157	5,70	T30768	STK
	6	2517	60	3	120	107	37,5	45,0	37,5	-	157	6,50	T30793	STK
160	1	1610	42	1	25	-	-	25,0	-	85	167	2,90	T30655	STK
	2	2012	50	2	44	117	-	32,0	12,0	-	167	3,90	T30670	STK
	3	2517	60	2	63	117	-	45,0	18,0	-	167	4,90	T30711	STK
	4	2517	60	3	82	117	18,5	45,0	18,5	-	167	5,70	T30737	STK
	5	2517	60	3	101	117	28,0	45,0	28,0	-	167	6,60	T30769	STK
	6	3020	75	3	120	117	34,5	51,0	34,5	-	167	6,50	T30794	STK
	8	3020	75	4	158	117	53,5	51,0	53,5	-	167	9,98	T82897	STK
	170	1	1610	42	1	25	-	-	25,0	-	-	177	3,30	T30656
2		2012	50	2	44	127	-	32,0	12,0	-	177	4,50	T30671	STK
3		2517	60	2	63	127	-	45,0	18,0	-	177	5,70	T30712	STK
4		2517	60	3	82	127	18,5	45,0	18,5	-	177	6,70	T30738	STK
5		3020	75	3	101	127	25,0	51,0	25,0	-	177	6,70	T30770	STK
6		3020	75	3	120	127	34,5	51,0	34,5	-	177	7,70	T30795	STK
8		3030	75	4	158	124	41,0	76,0	41,0	-	177	12,30	T82898	STK
180		1	1610	42	7	25	137	-	25,0	-	-	187	2,80	T30657
	2	2517	60	1	44	-	-	44,0	-1,0	-	187	5,50	T30672	STK
	3	2517	60	2	63	137	-	45,0	18,0	-	187	6,60	T30713	STK
	4	2517	60	3	82	137	18,5	45,0	18,5	-	187	7,60	T30739	STK
	5	3020	75	3	101	137	25,0	51,0	34,0	-	187	7,80	T30771	STK
	6	3020	75	3	120	137	35,0	51,0	34,0	-	187	8,90	T30796	STK
	8	3020	75	3	158	134	53,5	51,0	53,5	-	187	11,80	T82297	STK
	190	1	2012	50	7	25	147	3,5	32,0	-10,5	112	197	3,50	T30658
2		2517	60	1	44	-	-	44,0	-1,0	120	197	6,40	T30673	STK
3		2517	60	2	63	147	-	45,0	18,0	-	197	7,50	T30714	STK
4		2517	60	3	82	147	19,0	45,0	18,0	-	197	9,00	T30740	STK
5		3020	75	3	101	147	25,0	51,0	25,0	-	197	9,00	T30772	STK
6		3020	75	3	120,0	147	35,0	51,0	34,0	-	197	10,10	T30797	STK
8		3030	75	4	158	144	41,0	76,0	41,0	-	197	13,60	T82298	STK
200		1	2012	50	7	25	157	3,5	32,0	-10,5	106	207	3,80	T30659
	2	2517	60	1	44	-	-	44,0	-	124	207	7,30	T30674	STK
	3	2517	60	2	63	157	-	45,0	18,0	117	207	7,40	T30715	STK
	4	3020	75	2	82	157	-	51,0	31,0	-	207	9,30	T30741	STK
	5	3020	75	3	101	157	25,0	51,0	25,0	-	207	10,40	T30773	STK
	6	3020	75	3	120	157	35,0	51,0	34,0	-	207	11,60	T30798	STK
	8	3535	90	4	158	154	34,5	89,0	34,5	-	207	14,50	T82299	STK

Fortsetzung nächste Seite

Keilriemenscheiben

Profil SPB/B

Wirk-Ø P	Rillen- zahl	Buchse Nr.	Bohrung max.	Type	F	J	K	L	M	N	Außen-Ø DA	Gewicht in kg	Teile-Nr.	MEH	
212	1	2012	50	7	25	169	3,5	32,0	-10,5	106	219	4,20	T30660	STK	
	2	2517	60	1	44	169	-	44,0	-1,0	125	219	8,50	T30675	STK	
	3	2517	60	7	63	169	-	45,0	18,0	125	219	7,60	T30716	STK	
	4	3020	75	2	82	169	-	51,0	31,0	-	219	10,70	T30742	STK	
	5	3020	75	3	101	169	25,0	51,0	25,0	-	219	12,00	T30774	STK	
	6	3535	90	4	120	166	15,5	89,0	15,5	-	219	14,10	T82300	STK	
	8	3535	90	4	158	166	34,5	89,0	34,5	-	219	17,20	T82301	STK	
	224	1	2012	50	7	25	181	3,5	32,0	-10,5	106	231	4,50	T30661	STK
2		2517	60	7	44	181	-	45,0	-1,0	125	231	6,60	T30676	STK	
3		2517	60	7	63	181	-	45,0	18,0	117	231	8,20	T30717	STK	
4		3020	75	2	82	181	-	51,0	31,0	-	231	12,30	T30743	STK	
5		3020	75	3	101	181	25,0	51,0	25,0	-	231	13,60	T30775	STK	
6		3535	90	4	120	178	15,5	89,0	15,5	-	231	17,00	T82302	STK	
8		3535	90	4	158	178	34,5	89,0	34,5	-	231	20,00	T78370	STK	
236		1	2012	50	7	25	193	3,5	32,0	-10,5	106	243	4,90	T30662	STK
	2	2517	60	7	44	193	-	45,0	-1,0	125	243	7,30	T30677	STK	
	3	2517	60	7	63	193	-	45,0	18,0	125	243	8,90	T30718	STK	
	4	3020	75	2	82	193	-	51,0	31,0	-	243	13,90	T30744	STK	
	5	3535	90	2	101	190	-	90,5	10,5	-	243	19,15	T82304	STK	
	6	3535	90	4	120	190	15,5	89,0	15,5	-	243	20,75	T82305	STK	
	8	3535	90	4	158	190	34,5	89,0	34,5	-	243	23,60	T82306	STK	
	10	3535	90	3	196	198	53,5	89,0	53,5	-	243	25,00	T65786	STK	
	250	1	2012	50	7	25	207	3,5	32,0	-10,5	106	257	5,40	T30663	STK
		2	2517	60	8	44	207	-	45,0	-1,0	125	257	8,20	T30678	STK
3		3020	75	7	63	207	-	51,0	12,0	146	257	10,30	T30719	STK	
4		3020	75	7	82	207	-	51,0	31,0	146	257	11,80	T30745	STK	
5		3535	90	2	101	204	-	90,5	10,5	-	257	21,80	T80840	STK	
6		3535	90	4	120	204	15,5	89,0	15,5	-	257	23,60	T76973	STK	
8		3535	90	4	158	204	34,5	89,0	34,5	-	257	27,20	T71683	STK	
10		3535	90	3	196	207	53,5	89,0	53,5	-	257	29,00	T65787	STK	
280		2	2517	60	8	44	237	-	45,0	-1,0	125	287	9,80	T30679	STK
		3	3020	75	7	63	237	6,0	51,0	6,0	146	287	12,00	T30720	STK
	4	3020	75	7	82	237	15,5	51,0	15,5	187	287	13,70	T30747	STK	
	5	3535	90	7	101	237	6,0	89,0	6,0	178	287	18,50	T82311	STK	
	6	3535	90	7	120	237	15,5	89,0	15,5	178	287	25,30	T80043	STK	
	8	3535	90	7	158	237	34,5	89,0	34,5	178	287	29,62	T82313	STK	
	10	3535	90	7	196	237	53,5	89,0	53,5	180	287	30,00	T65788	STK	
	300	2	2517	65	8	44	257	0,5	45,0	0,5	124	307	7,30	T30680	STK
3		3020	75	7	63	257	6,0	51,0	6,0	146	307	9,20	T30721	STK	
4		3535	75	6	82	257	15,5	51,0	15,5	159	307	14,30	T82899	STK	
5		3535	100	7	101	257	18,0	65,0	18,0	191	307	15,50	T30779	STK	
6		3535	100	7	120	257	27,5	65,0	27,5	191	307	19,20	T30804	STK	
8		3535	100	7	158	257	46,5	65,0	46,5	191	307	23,50	T82900	STK	
10		3535	90	3	196	-	53,5	89,0	53,5	-	307	28,20	T82901	STK	
315		2	2517	60	8	44	272	-	45,0	1,0	125	322	11,80	T30681	STK
	3	3020	75	7	63	272	6,0	51,0	6,0	146	322	14,30	T30722	STK	
	4	3535	90	5	82	269	3,5	89,0	3,5	178	322	21,30	T82314	STK	
	5	3535	90	7	101	269	6,0	89,0	6,0	178	322	24,50	T82315	STK	
	6	3535	90	7	120	269	15,5	89,0	15,5	178	322	28,10	T82316	STK	
	8	3535	90	7	158	269	34,5	89,0	34,5	178	322	30,28	T73214	STK	
	10	3535	90	7	196	272	53,5	89,0	53,5	-	322	33,00	T65789	STK	

Wirk-Ø P	Rillen- zahl	Buchse Nr.	Bohrung max.	Type	F	J	K	L	M	N	Außen-Ø DA	Gewicht in kg	Teile-Nr.	MEH
335	2	3020	75	8	44	292	0,5	51,0	-7,5	125	342	7,80	T82902	STK
	3	3020	75	7	63	292	6,0	51,0	6,0	146	342	10,50	T82903	STK
	4	3535	90	7	82	292	8,5	65,0	8,5	191	342	15,60	T30750	STK
	5	3535	90	7	101	292	18,0	65,0	18,0	191	342	16,80	T30781	STK
	6	3535	90	7	120	292	27,5	65,0	27,5	191	342	19,30	T30806	STK
	8	3535	90	7	158	292	46,5	65,0	46,5	191	342	25,50	T30827	STK
	10	4040	100	8	196	292	47,0	102,0	47,0	200	342	36,00	T82904	STK
355	2	3020	75	8	44	312	4,0	51,0	-11,0	146	362	15,10	T30683	STK
	3	3020	75	7	63	312	6,0	51,0	6,0	146	362	17,30	T30724	STK
	4	3535	90	5	82	309	3,5	89,0	3,5	178	362	25,40	T74121	STK
	5	3535	90	6	101	309	6,0	89,0	6,0	178	362	26,30	T82319	STK
	6	3535	90	7	120	309	15,5	89,0	15,5	178	362	32,30	T82320	STK
	8	3535	90	7	158	309	34,5	89,0	34,5	178	362	27,50	T82321	STK
	10	4040	100	7	196	312	47,0	102,0	47,0	210	362	41,00	T65790	STK
400	2	3020	75	8	44	357	4,0	51,0	-11,0	146	407	18,30	T30684	STK
	3	3535	90	5	63	354	13,0	89,0	13,0	178	407	23,60	T81220	STK
	4	3535	90	5	82	354	3,5	89,0	3,5	178	407	22,20	T82323	STK
	5	3535	90	6	101	354	6,0	89,0	6,0	178	407	31,30	T82324	STK
	6	3535	90	6	120	354	15,5	89,0	15,5	178	407	32,60	T82325	STK
	8	4040	100	6	158	354	28,0	102,0	28,0	216	407	44,50	T82326	STK
	10	4040	100	5	196	357	47,0	102,0	47,0	215	407	50,00	T65791	STK
450	2	3020	75	4	44	407	4,0	51,0	-11,0	146	457	18,60	T30686	STK
	3	3535	90	5	63	404	13,0	89,0	13,0	178	457	27,10	T82327	STK
	4	3535	90	5	82	404	3,5	89,0	3,5	178	457	28,80	T82328	STK
	5	3535	90	6	101	404	6,0	89,0	6,0	178	457	35,70	T82329	STK
	6	4040	100	6	120	404	9,0	102,0	9,0	216	457	42,60	T30809	STK
	8	4040	100	6	158	404	28,0	102,0	28,0	216	457	52,00	T82331	STK
	10	4545	110	5	196	407	40,5	115,0	40,5	240	457	65,00	T65792	STK
500	2	3020	75	4	44	457	4,0	51,0	-11,0	146	507	21,80	T30687	STK
	3	3535	90	5	63	454	13,0	89,0	13,0	178	507	31,80	T82332	STK
	4	3535	90	5	82	454	3,5	89,0	3,5	178	507	35,40	T82333	STK
	5	3535	90	6	101	454	6,0	89,0	6,0	178	507	39,90	T82334	STK
	6	4040	100	6	120	454	9,0	102,0	9,0	216	507	52,60	T82335	STK
	8	4040	100	6	158	454	28,0	102,0	28,0	216	507	60,80	T82336	STK
	10	4545	110	5	196	449	40,5	115,0	40,5	240	507	67,50	T65793	STK
560	2	3020	75	5	44	517	4,0	51,0	-11,0	146	567	26,80	T30688	STK
	3	3535	90	5	63	525	-	89,0	26,0	178	567	38,10	T30728	STK
	4	3535	90	5	82	525	-	89,0	7,0	178	567	40,90	T30755	STK
	5	4040	100	5	101	525	-	102,0	1,0	216	567	50,20	T30786	STK
	6	4040	100	6	120	525	9,0	102,0	9,0	216	567	61,00	T30811	STK
	8	4545	110	6	158	525	22,0	114,0	22,0	242	567	69,00	T30832	STK
	10	4545	110	5	196	517	40,5	115,0	40,5	242	567	62,00	T82905	STK
630	2	3020	75	4	44	587	4,0	51,0	-11,0	146	637	31,30	T82906	STK
	3	3535	90	5	63	584	13,0	89,0	13,0	178	637	44,90	T82337	STK
	4	3535	90	5	82	584	3,5	89,0	3,5	178	637	46,30	T82338	STK
	5	4040	100	5	101	584	0,5	102,0	0,5	216	637	61,20	T82339	STK
	6	4040	100	6	120	584	9,0	102,0	9,0	216	637	68,90	T82340	STK
	8	4545	110	6	158	584	22,0	114,0	22,0	242	637	87,10	T82341	STK
	10	4545	110	5	196	587	54,0	115,0	27,0	240	637	83,00	T65794	STK

Fortsetzung nächste Seite



Keilriemenscheiben Profil SPB/B

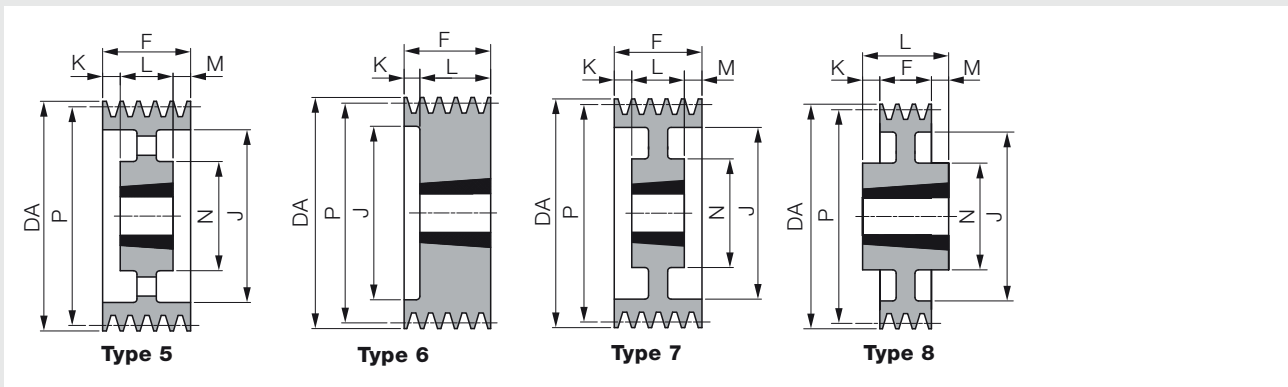
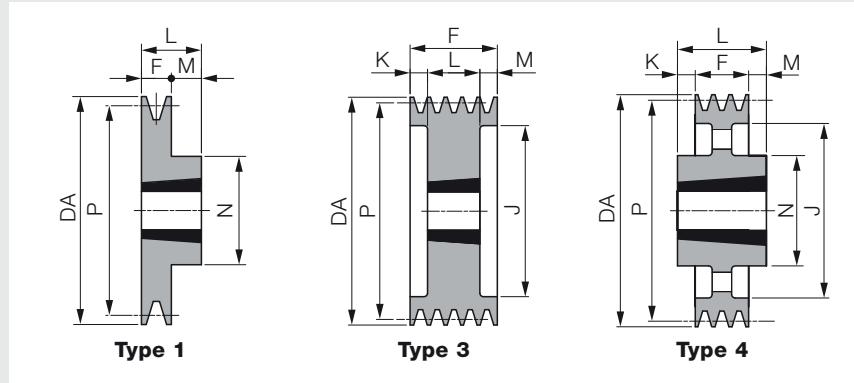
Wirk-Ø P	Rillen- zahl	Buchse Nr.	Bohrung max.	Type	F	J	K	L	M	N	Außen-Ø DA	Gewicht in kg	Teile-Nr.	MEH
710	3	3535	90	5	63	664	13,0	89,0	13,0	178	717	52,20	T82342	STK
	4	3535	90	5	82	664	3,5	89,0	3,5	178	717	61,00	T82343	STK
	5	4040	100	5	101	664	0,5	102,0	0,5	216	717	71,40	T82344	STK
	6	4545	110	6	120	664	3,0	115,0	3,0	242	717	82,30	T82345	STK
	8	4545	110	6	158	664	22,0	115,0	22,0	242	717	104,70	T82346	STK
	10	4545	110	5	196	667	40,5	115,0	40,5	240	717	97,00	T65795	STK
800	3	3535	90	5	63	754	13,0	89,0	13,0	178	807	59,00	T82347	STK
	4	4040	100	5	82	754	10,0	102,0	10,0	216	807	74,00	T82348	STK
	5	4040	100	5	101	754	0,5	102,0	0,5	216	807	80,00	T82349	STK
	6	4545	110	6	120	754	3,0	115,0	3,0	242	807	102,00	T82350	STK
	8	4545	110	6	158	754	22,0	115,0	22,0	242	807	121,00	T82351	STK
	10	4545	110	5	196	757	40,5	115,0	40,5	240	807	110,00	T65796	STK
900	3	3535	90	4	63	857	1,0	65,0	-3,0	191	907	65,00	T35930	STK
	4	4030	115	5	82	857	3,0	76,0	3,0	215	907	71,00	T30759	STK
	5	4030	115	5	101	857	6,0	76,0	19,0	240	907	95,00	T30790	STK
	6	4535	125	5	120	857	15,5	89,0	15,5	240	907	109,00	T30815	STK
	8	4535	125	5	158	853	34,5	89,0	34,5	240	907	120,00	T30836	STK
	10	5050	125	5	196	858	34,5	127,0	34,5	265	907	145,00	T65797	STK
1.000	3	4040	100	5	63	954	19,5	102,0	19,5	216	1.007	85,00	T30732	STK
	4	4040	100	5	82	954	10,0	102,0	10,0	216	1.007	99,00	T82356	STK
	5	4545	110	5	101	954	6,5	114,0	6,5	242	1.007	128,00	T82357	STK
	6	4545	110	6	120	954	3,0	114,0	3,0	242	1.007	134,00	T82358	STK
	8	5050	125	6	158	954	15,5	127,0	15,5	265	1.007	159,00	T82359	STK
	10	5050	125	5	196	954	34,5	127,0	34,5	265	1.007	147,00	T65798	STK
1.250	3	5040	125	4	63	1207	20,0	102,0	-59,0	265	1.257	44,90	T82907	STK
	4	5040	125	4	82	1207	10,0	102,0	-30,0	265	1.257	46,30	T82908	STK
	5	5040	125	4	101	1207	0,5	102,0	-1,5	265	1.257	61,20	T82909	STK
	6	5040	125	5	120	1207	9,0	102,0	9,0	265	1.257	68,90	T82910	STK
	8	5040	125	5	158	1207	28,0	102,0	28,0	265	1.257	87,10	T82911	STK

Bestellhinweis

Lieferung ohne Taper Lock® Spannbuchse.
Alle Maße in mm.

Keilriemenscheibe Taper Lock® Profil SPC

Profil SPC und C/22.



Hinweise

- Hinsichtlich der Nabenlage kann es Abweichungen geben.

Materialbeschreibung

- Grauguss

Wirk-Ø P	Rillen- zahl	Buchse Nr.	Bohrung max.	Type	F	J	K	L	M	N	Außen-Ø DA	Gewicht in kg	Teile-Nr.	MEH
200	3	2517	60	3	85,0	150	20,0	45,0	20,0	-	210	10,20	T30853	STK
	4	3020	75	3	111,0	144	30,0	51,0	30,0	-	210	11,40	T30877	STK
	5	3535	90	3	136,0	150	35,5	65,0	35,5	-	210	11,30	T82913	STK
	6	3535	90	3	161,5	148	47,5	65,0	49,5	-	210	14,30	T30930	STK
	8	3535	90	3	212,5	148	74,0	65,0	74,0	-	210	20,30	T82912	STK
212	3	3020	75	3	85,0	162	17,0	51,0	17,0	-	222	11,00	T30854	STK
	4	3020	75	3	111,0	156	30,0	51,0	30,0	-	222	13,00	T30878	STK
	5	3535	90	3	136,0	160	35,5	65,0	35,5	-	222	12,40	T30907	STK
	6	3535	90	3	161,5	160	47,5	65,0	49,5	-	222	15,50	T35932	STK
	8	3535	90	3	213,0	156	62,0	89,0	62,0	-	222	20,10	T83013	STK
224	3	3020	75	3	85,0	173	17,0	51,0	17,0	-	234	11,30	T30855	STK
	4	3535	90	3	111,0	161	11,0	89,0	11,0	-	234	16,30	T82360	STK
	5	3535	90	3	136,0	161	23,5	89,0	23,5	-	234	19,10	T82361	STK
	6	3535	90	3	162,0	161	36,5	89,0	36,5	-	234	21,30	T82362	STK
	8	3535	90	3	213,0	161	46,0	89,0	78,0	-	234	26,30	T82363	STK
236	3	3020	75	3	85,0	185	17,0	51,0	17,0	-	246	14,50	T30856	STK
	4	3535	90	3	111,0	173	11,0	89,0	11,0	-	246	19,10	T82364	STK
	5	3535	90	3	136,0	173	23,5	89,0	23,5	-	246	22,20	T82365	STK
	6	3535	90	3	162,0	173	36,5	89,0	36,5	-	246	24,10	T82366	STK
	8	3535	90	3	213,0	173	46,0	89,0	78,0	-	246	30,00	T82367	STK

Fortsetzung nächste Seite

Keilriemenscheiben Profil SPC/C

Wirk-Ø P	Rillen- zahl	Buchse Nr.	Bohrung max.	Type	F	J	K	L	M	N	Außen-Ø DA	Gewicht in kg	Teile-Nr.	MEH
250	3	3020	75	3	85,0	200	17,0	51,0	17,0	-	260	15,50	T30857	STK
	4	3535	90	3	111,0	187	11,0	89,0	11,0	-	260	22,70	T82368	STK
	5	3535	90	3	136,0	187	23,5	89,0	23,5	-	260	25,40	T82369	STK
	6	3535	90	3	162,0	187	36,5	89,0	36,5	-	260	28,20	T82370	STK
	8	3535	90	3	213,0	187	62,0	89,0	62,0	-	260	34,10	T82371	STK
	10	4040	100	4	264,0	196	81,0	102,0	81,0	-	260	37,10	T82914	STK
265	3	3535	90	1	85,0	-	-	90,5	5,5	178	275	23,20	T82372	STK
	4	3535	90	3	111,0	202	11,0	89,0	11,0	-	275	26,10	T82373	STK
	5	3535	90	3	136,0	202	23,5	89,0	23,5	-	275	29,30	T82374	STK
	6	3535	90	3	162,0	202	36,5	89,0	36,5	-	275	32,70	T82375	STK
	8	3535	90	3	213,0	202	62,0	89,0	62,0	-	275	38,60	T82376	STK
	10	4040	100	3	264,0	209	81,0	102,0	81,0	-	275	41,60	T82915	STK
280	3	3535	90	1	85,0	-	-	90,5	5,5	178	290	26,80	T82377	STK
	4	3535	90	3	111,0	217	11,0	89,0	11,0	-	290	30,40	T82378	STK
	5	3535	90	3	136,0	217	23,5	89,0	23,5	-	290	34,70	T82379	STK
	6	3535	90	3	162,0	217	36,5	89,0	36,5	-	290	36,30	T82380	STK
	8	3535	90	3	213,0	217	62,0	89,0	62,0	-	290	43,10	T82381	STK
	10	4040	100	3	264,0	230	81,0	102,0	81,0	-	290	46,90	T82916	STK
300	3	3535	90	8	85,0	237	2,0	89,0	2,0	178	310	29,30	T82382	STK
	4	3535	90	7	111,0	237	11,0	89,0	11,0	178	310	33,90	T82383	STK
	5	3535	90	7	136,0	237	23,5	89,0	23,5	178	310	38,10	T82384	STK
	6	3535	90	7	162,0	237	36,5	89,0	36,5	178	310	41,30	T82385	STK
	8	4040	100	3	213,0	237	55,5	102,0	55,5	-	310	50,20	T82386	STK
	10	4040	100	3	264,0	244	81,0	102,0	81,0	-	310	58,10	T82917	STK
315	3	3535	90	8	85,0	225	2,0	89,0	2,0	178	325	31,80	T82387	STK
	4	3535	90	7	111,0	252	11,0	89,0	11,0	178	325	37,20	T82388	STK
	5	3535	90	7	136,0	252	23,5	89,0	23,5	178	325	42,20	T82389	STK
	6	3535	90	7	162,0	252	36,5	89,0	36,5	178	325	46,30	T82390	STK
	8	4040	100	3	213,0	252	55,5	102,0	55,5	-	325	57,20	T82391	STK
	10	4545	110	3	264,0	259	75,0	115,0	74,0	-	325	62,50	T30976	STK
335	3	3535	90	8	85,0	272	2,0	89,0	2,0	178	345	30,70	T82392	STK
	4	3535	90	7	111,0	272	11,0	89,0	11,0	178	345	38,10	T82393	STK
	5	3535	90	7	136,0	272	23,5	89,0	23,5	178	345	42,00	T82394	STK
	6	3535	90	7	162,0	272	36,5	89,0	36,5	178	345	47,10	T82395	STK
	8	4040	100	3	213,0	272	55,5	102,0	55,5	-	345	61,20	T82396	STK
	10	4545	110	3	264,0	279	75,0	115,0	74,0	-	345	72,50	T30977	STK
355	3	3535	90	8	85,0	292	2,0	89,0	2,0	178	365	30,00	T82397	STK
	4	3535	90	7	111,0	292	11,0	89,0	11,0	178	365	38,60	T82398	STK
	5	3535	90	7	136,0	292	23,5	89,0	23,5	178	365	41,80	T82399	STK
	6	3535	90	7	162,0	292	36,5	89,0	36,5	178	365	48,10	T82400	STK
	8	4040	100	7	213,0	292	55,5	102,0	55,5	216	365	65,00	T82401	STK
	10	4545	110	3	264,0	304	74,5	115,0	74,5	-	365	84,40	T30978	STK
375	3	3535	90	8	85,0	312	2,0	89,0	2,0	178	385	31,50	T82402	STK
	4	3535	90	7	111,0	312	11,0	89,0	11,0	178	385	37,60	T82403	STK
	5	3535	90	7	136,0	312	23,5	89,0	23,5	178	385	43,20	T82404	STK
	6	4040	100	7	162,0	312	30,0	102,0	30,0	216	385	54,60	T82405	STK
	8	4545	110	7	213,0	312	49,5	114,0	49,5	242	385	70,10	T82406	STK
	10	5050	110	3	264,0	319	74,5	115,0	74,5	-	385	92,00	T30979	STK

4

Wirk-Ø P	Rillen- zahl	Buchse Nr.	Bohrung max.	Type	F	J	K	L	M	N	Außen-Ø DA	Gewicht in kg	Teile-Nr.	MEH
400	3	3535	90	4	85,0	337	2,0	89,0	2,0	178	410	32,70	T82407	STK
	4	3535	90	5	111,0	337	11,0	89,0	11,0	178	410	37,70	T82408	STK
	5	3535	90	5	136,0	337	23,5	89,0	23,5	178	410	44,50	T82409	STK
	6	4040	100	7	162,0	337	30,0	102,0	30,0	216	410	61,70	T82410	STK
	8	4545	110	7	213,0	337	49,5	114,0	49,5	242	410	87,10	T82411	STK
	10	5050	125	7	264,0	344	81,0	127,0	56,0	265	410	98,00	T30980	STK
425	3	3535	90	4	85,0	362	2,0	89,0	2,0	178	435	36,30	T82412	STK
	4	3535	90	5	111,0	362	11,0	89,0	11,0	178	435	41,30	T82413	STK
	5	3535	90	5	136,0	362	23,5	89,0	23,5	178	435	53,40	T83008	STK
	6	4040	100	7	162,0	362	30,0	102,0	30,0	216	435	70,10	T30943	STK
	8	4545	110	7	213,0	362	49,5	114,0	49,5	242	435	96,20	T82416	STK
	10	5050	125	7	264,0	369	69,0	127,0	68,0	265	435	120,00	T30981	STK
450	3	3535	90	4	85,0	387	2,0	89,0	2,0	178	460	40,00	T82417	STK
	4	3535	90	5	111,0	387	11,0	89,0	11,0	178	460	45,40	T82418	STK
	5	4040	100	5	136,0	387	17,0	102,0	17,0	216	460	60,80	T82419	STK
	6	4545	110	7	162,0	387	24,0	114,0	24,0	242	460	79,90	T82420	STK
	8	5050	125	7	213,0	387	43,0	127,0	43,0	267	460	105,00	T82421	STK
	10	5050	125	7	264,0	394	81,0	127,0	56,0	265	460	131,00	T30982	STK
475	3	3535	90	4	85,0	412	2,0	89,0	2,0	178	485	43,10	T82918	STK
	4	3535	90	5	111,0	412	11,0	89,0	11,0	178	485	50,20	T30892	STK
	5	4040	100	5	136,0	412	17,0	102,0	17,0	216	485	63,20	T30921	STK
	6	4545	110	7	162,0	412	24,0	114,0	24,0	242	485	81,70	T82919	STK
	8	5050	125	7	213,0	412	43,0	127,0	43,0	267	485	109,00	T30967	STK
	10	5050	125	7	264,0	419	69,0	127,0	68,0	265	485	130,00	T30983	STK
500	3	3535	90	4	85,0	437	2,0	89,0	2,0	178	510	47,70	T30869	STK
	4	3535	90	5	111,0	437	11,0	89,0	11,0	178	510	56,30	T82422	STK
	5	4040	100	5	136,0	437	17,0	102,0	17,0	216	510	66,30	T82423	STK
	6	4545	110	5	162,0	437	24,0	114,0	24,0	242	510	85,40	T82424	STK
	8	5050	125	7	213,0	437	43,0	127,0	43,0	267	510	115,00	T82425	STK
	10	5050	125	7	264,0	444	81,0	127,0	81,0	265	510	143,00	T30984	STK
530	3	3535	90	4	85,0	467	2,0	89,0	2,0	178	540	50,20	T30870	STK
	4	4040	100	5	111,0	467	4,5	102,0	4,5	216	540	61,20	T30894	STK
	5	4545	110	5	136,0	467	11,0	114,0	11,0	242	540	74,00	T82920	STK
	6	5050	125	5	162,0	467	17,5	127,0	17,5	267	540	90,70	T30947	STK
	8	5050	125	7	213,0	467	43,0	127,0	43,0	267	540	125,00	T30969	STK
	10	5050	125	7	264,0	474	69,0	127,0	68,0	265	540	156,00	T30985	STK
560	3	3535	90	4	85,0	497	2,0	89,0	2,0	178	570	53,40	T30871	STK
	4	4040	100	5	111,0	497	4,5	102,0	4,5	216	570	66,30	T82426	STK
	5	4545	110	5	136,0	497	11,0	114,0	11,0	242	570	81,70	T82427	STK
	6	5050	125	5	162,0	497	17,5	127,0	17,5	267	570	96,20	T82428	STK
	8	5050	125	5	213,0	497	43,0	127,0	43,0	267	570	109,00	T82429	STK
	10	5050	125	5	264,0	504	81,0	127,0	56,0	265	570	136,00	T30986	STK
630	3	4040	100	4	85,0	567	8,5	102,0	8,5	216	640	67,20	T30872	STK
	4	4545	110	4	111,0	567	1,5	114,0	1,5	242	640	84,00	T30896	STK
	5	5050	125	5	136,0	567	4,5	127,0	4,5	267	640	101,00	T82430	STK
	6	5050	125	5	162,0	567	17,5	127,0	17,5	267	640	112,00	T82431	STK
	8	5050	125	5	213,0	567	43,0	127,0	43,0	267	640	126,00	T82432	STK
	10	5050	125	5	264,0	574	69,0	127,0	68,0	265	640	157,00	T30987	STK

Fortsetzung nächste Seite

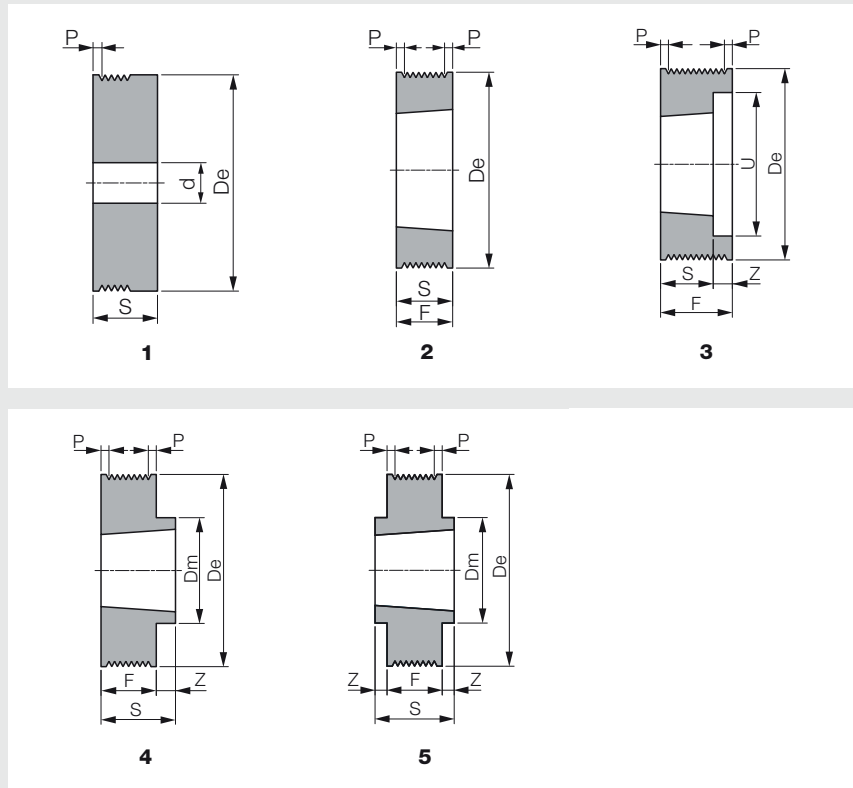
Keilriemenscheiben Profil SPC/C

Wirk-Ø P	Rillen- zahl	Buchse Nr.	Bohrung max.	Type	F	J	K	L	M	N	Außen-Ø DA	Gewicht in kg	Teile-Nr.	MEH
710	3	5050	115	5	85,0	654	5,0	76,0	4,0	215	720	86,20	T65799	STK
	4	4030	115	8	110,5	654	11,0	89,0	24,0	240	720	111,00	T65800	STK
	5	5050	125	5	136,0	654	17,0	102,0	17,0	265	720	117,00	T82433	STK
	6	5050	125	5	161,5	654	30,0	102,0	30,0	265	720	137,00	T82434	STK
	8	5050	125	5	212,5	654	56,0	102,0	55,0	265	720	155,00	T82435	STK
	10	5050	125	5	264,0	654	69,0	127,0	68,0	265	720	193,00	T30988	STK
800	3	4545	110	4	85,0	737	14,5	114,0	14,5	242	810	97,10	T30874	STK
	4	5050	125	5	111,0	737	8,0	127,0	8,0	267	810	125,00	T82436	STK
	5	5050	125	5	136,0	737	4,5	127,0	4,5	267	810	132,00	T82437	STK
	6	5050	125	5	162,0	737	17,5	127,0	17,5	267	810	154,00	T82438	STK
	8	5050	125	5	213,0	737	43,0	127,0	43,0	267	810	175,00	T82439	STK
	10	5050	125	5	264,0	744	81,0	127,0	56,0	265	810	218,00	T30989	STK
1.000	3	5050	125	4	85,0	937	21,0	127,0	21,0	267	1.010	129,00	T30875	STK
	4	5050	125	5	111,0	937	8,0	127,0	8,0	267	1.010	166,00	T30899	STK
	5	5050	125	5	136,0	937	4,5	127,0	4,5	267	1.010	184,00	T82440	STK
	6	5050	125	5	162,0	937	17,5	127,0	17,5	267	1.010	195,00	T82441	STK
	8	5050	125	5	213,0	937	43,0	127,0	43,0	267	1.010	235,00	T82442	STK
	10	5050	125	5	264,0	940	69,0	127,0	68,0	265	1.010	293,00	T82921	STK
1.250	3	5050	125	4	85,0	1187	21,0	127,0	21,0	267	1.260	180,00	T30876	STK
	4	5050	125	5	111,0	1187	8,0	127,0	8,0	267	1.260	220,00	T82922	STK
	5	5050	125	5	136,0	1187	4,5	127,0	4,5	267	1.260	244,00	T82443	STK
	6	5050	125	5	162,0	1187	17,5	127,0	17,5	267	1.260	258,00	T82444	STK
	8	5050	125	5	213,0	1187	43,0	127,0	43,0	267	1.260	306,00	T82445	STK
	10	5050	125	5	264,0	1190	69,0	127,0	68,0	265	1.260	382,00	T82923	STK

Bestellhinweis

Lieferung ohne Taper Lock® Spannbuchse.
Alle Maße in mm.

Riemenscheibe Profil PJ



Materialbeschreibung

- Stahl C45

De	Ausf.	Rillen- anzahl	Buchsen- Nr.	S	Z	Dm	U	F ^{+/-0,1}	P	Teile-Nr.	MEH
40	1	8	-	32,0	-	-	-	-	3,31	553489	STK
	1	12	-	41,5	-	-	-	-	3,38	553512	STK
	1	16	-	51,0	-	-	-	-	3,45	553535	STK
45	1	8	-	32,0	-	-	-	-	3,31	553490	STK
	1	12	-	41,5	-	-	-	-	3,38	553513	STK
	1	16	-	51,0	-	-	-	-	3,45	553536	STK
50	1	8	-	32,0	-	-	-	-	3,31	553491	STK
	1	12	-	41,5	-	-	-	-	3,38	553514	STK
	1	16	-	51,0	-	-	-	-	3,45	553537	STK
56	2	8	1108	23,0	-	-	-	23,0	3,31	553492	STK
	1	12	1108	41,5	-	-	-	-	3,38	553515	STK
	1	16	-	51,0	-	-	-	-	3,45	553538	STK
63	2	8	1108	23,0	-	-	-	23,0	3,31	553493	STK
	3	12	1108	23,0	-	-	46	32,5	3,38	553516	STK
	1	16	-	51,0	-	-	-	-	3,45	553539	STK
71	2	8	1108	23,0	-	-	-	23,0	3,31	553494	STK
	3	12	1108	23,0	-	-	46	32,5	3,38	553517	STK
	2	16	1215	42,0	-	-	55	42,0	3,45	553540	STK
75	2	8	1108	23,0	-	-	-	23,0	3,31	553495	STK
	3	12	1610	26,0	6,50	-	60	32,5	3,38	553518	STK
	3	16	1610	26,0	16,00	-	60	42,0	3,45	553541	STK

Fortsetzung nächste Seite

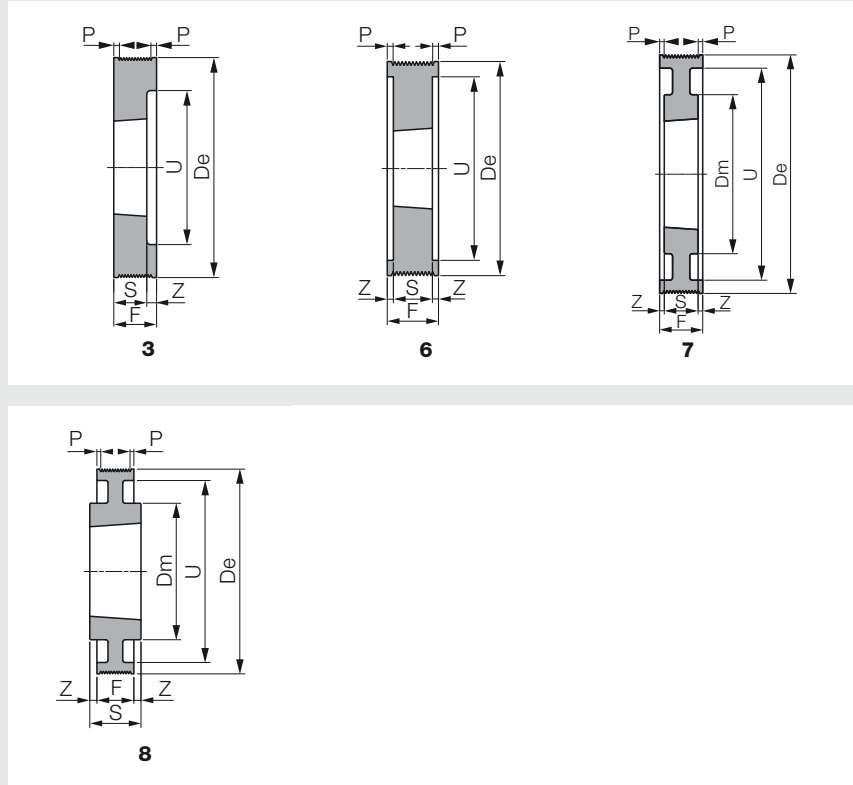
Keilriemenscheiben Keilrippenscheiben

De	Ausf.	Rillen- anzahl	Buchsen- Nr.	S	Z	Dm	U	F ^{+/-0,1}	P	Teile-Nr.	MEH
80	4	8	1610	26,0	3,00	70	-	23,0	3,31	553496	STK
	3	12	1610	26,0	6,50	-	60	32,5	3,38	553519	STK
	3	16	1610	26,0	16,00	-	60	42,0	3,45	553542	STK
85	4	8	1610	26,0	3,00	70	-	23,0	3,31	553497	STK
	3	12	1610	26,0	6,50	-	60	32,5	3,38	553520	STK
	3	16	1610	26,0	16,00	-	60	42,0	3,45	553543	STK
90	4	8	1610	26,0	3,00	70	-	23,0	3,31	553498	STK
	3	12	1610	26,0	6,50	-	74	32,5	3,38	553521	STK
	3	16	1610	26,0	16,00	-	74	42,0	3,45	553544	STK
95	4	8	1610	26,0	3,00	82	-	23,0	3,31	553499	STK
	3	12	1610	26,0	6,50	-	74	32,5	3,38	553522	STK
	3	16	1610	26,0	16,00	-	74	42,0	3,45	553545	STK
100	4	8	1610	26,0	3,00	82	-	23,0	3,31	553500	STK
	3	12	1610	26,0	6,50	-	74	32,5	3,38	553523	STK
	3	16	1610	26,0	16,00	-	74	42,0	3,45	553546	STK
106	4	8	1610	26,0	3,00	82	-	23,0	3,31	553501	STK
	3	12	1610	26,0	6,50	-	88	32,5	3,38	553524	STK
	3	16	1610	26,0	16,00	-	88	42,0	3,45	553547	STK
112	4	8	1610	26,0	3,00	90	-	23,0	3,31	553502	STK
	3	12	1610	26,0	6,50	-	88	32,5	3,38	553525	STK
	3	16	1610	26,0	16,00	-	88	42,0	3,45	553548	STK
118	4	8	1610	26,0	3,00	90	-	23,0	3,31	553503	STK
	3	12	2012	32,0	0,50	-	98	32,5	3,38	553526	STK
	3	16	2012	32,0	10,00	-	98	42,0	3,45	553549	STK
125	4	8	1610	26,0	3,00	90	-	23,0	3,31	553504	STK
	3	12	2012	32,0	0,50	-	98	32,5	3,38	553527	STK
	3	16	2012	32,0	10,00	-	98	42,0	3,45	553550	STK
132	4	8	1610	26,0	3,00	90	-	23,0	3,31	553505	STK
	3	12	2012	32,0	0,50	-	98	32,5	3,38	553528	STK
	3	16	2012	32,0	10,00	-	98	42,0	3,45	553551	STK
140	4	8	1610	26,0	3,00	90	-	23,0	3,31	553506	STK
	4	12	2517	45,0	12,50	120	-	32,5	3,38	553529	STK
	4	16	2517	45,0	3,00	120	-	42,0	3,45	553552	STK
160	5	8	2012	32,0	4,50	110	-	23,0	3,31	553507	STK
	4	12	2517	45,0	12,50	120	-	32,5	3,38	553530	STK
	4	16	2517	45,0	3,00	120	-	42,0	3,45	553553	STK
180	5	8	2012	32,0	4,50	110	-	23,0	3,31	553508	STK
	5	12	2517	45,0	6,25	120	-	32,5	3,38	553531	STK
	5	16	2517	45,0	1,50	120	-	42,0	3,45	553554	STK
200	5	8	2012	32,0	4,50	110	-	23,0	3,31	553509	STK
	5	12	2517	45,0	6,25	120	-	32,5	3,38	553532	STK
	5	16	2517	45,0	1,50	120	-	42,0	3,45	553555	STK
224	5	8	2012	32,0	4,50	110	-	23,0	3,31	553510	STK
	5	12	2517	45,0	6,25	120	-	32,5	3,38	553533	STK
	5	16	2517	45,0	1,50	120	-	42,0	3,45	553556	STK
250	5	8	2012	32,0	4,50	110	-	23,0	3,31	553511	STK
	5	12	2517	45,0	6,25	120	-	32,5	3,38	553534	STK
	5	16	2517	45,0	1,50	120	-	42,0	3,45	553557	STK

Bestellhinweis

Lieferung ohne Taper Lock® Spannbuchse.
Alle Maße in mm.

Riemenscheibe Profil PL



Materialbeschreibung

- Stahl C45

De	Ausf.	Rillen- anzahl	Buchsen- Nr.	S	Z	Dm	U	F ^{+/-0,1}	P	Teile-Nr.	MEH
75	3	8	1210	26	22,0	-	56	48	7,55	553558	STK
	3	12	1215	42	25,0	-	56	67	7,65	553579	STK
80	3	8	1210	26	22,0	-	56	48	7,55	553559	STK
	3	12	1215	42	25,0	-	56	67	7,65	553580	STK
85	3	8	1210	26	22,0	-	61	48	7,55	553560	STK
	3	12	1215	42	25,0	-	61	67	7,65	553581	STK
	6	16	1215	42	22,0	-	61	86	7,75	553600	STK
90	3	8	1610	26	22,0	-	66	48	7,55	553561	STK
	3	12	1615	42	25,0	-	66	67	7,65	553582	STK
	6	16	1615	42	22,0	-	66	86	7,75	553601	STK
95	3	8	1610	26	22,0	-	71	48	7,55	553562	STK
	3	12	1615	42	25,0	-	71	67	7,65	553583	STK
	6	16	1615	42	22,0	-	71	86	7,75	553602	STK
100	3	8	1610	26	22,0	-	76	48	7,55	553563	STK
	3	12	2012	32	35,0	-	79	67	7,65	553584	STK
	6	16	2012	32	27,0	-	79	86	7,75	553603	STK
106	3	8	1610	26	22,0	-	82	48	7,55	553564	STK
	3	12	2012	32	35,0	-	82	67	7,65	553585	STK
	6	16	2012	32	27,0	-	82	86	7,75	553604	STK
112	3	8	1610	26	22,0	-	88	48	7,55	553565	STK
	3	12	2012	32	35,0	-	88	67	7,65	553586	STK
	6	16	2012	32	27,0	-	88	86	7,75	553605	STK

Fortsetzung nächste Seite

Keilriemenscheiben Keilrippenscheiben

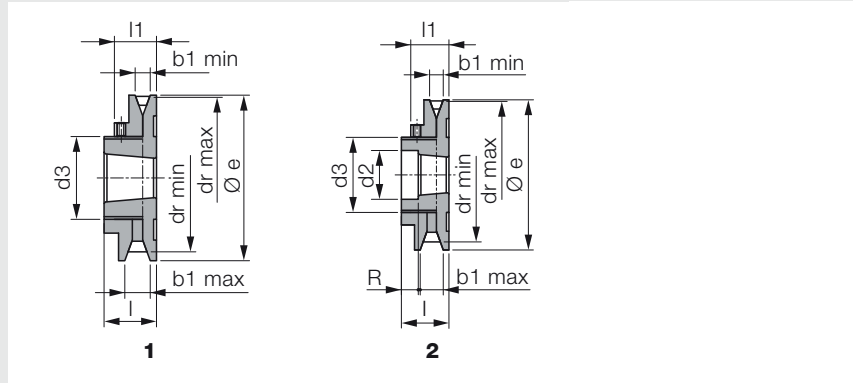
De	Ausf.	Rillen- anzahl	Buchsen- Nr.	S	Z	Dm	U	F ^{+/-0,1}	P	Teile-Nr.	MEH
118	3	8	2012	32	16,0	-	94	48	7,55	553566	STK
	6	12	2517	45	11,0	-	97	67	7,65	553587	STK
	6	16	2517	45	20,5	-	97	86	7,75	553606	STK
125	3	8	2012	32	16,0	-	101	48	7,55	553567	STK
	6	12	2517	45	11,0	-	101	67	7,65	553588	STK
	6	16	2517	45	20,5	-	101	86	7,75	553607	STK
132	3	8	2012	32	16,0	-	108	48	7,55	553568	STK
	6	12	2517	45	11,0	-	108	67	7,65	553589	STK
	6	16	2517	45	20,5	-	108	86	7,75	553608	STK
140	3	8	2517	45	3,0	82	116	48	7,55	553569	STK
	6	12	2517	45	11,0	-	116	67	7,65	553590	STK
	6	16	2517	45	20,5	-	116	86	7,75	553609	STK
150	3	8	2517	45	3,0	-	126	48	7,55	553570	STK
	6	12	2517	45	11,0	-	126	67	7,65	553591	STK
	6	16	2517	45	20,5	-	126	86	7,75	553610	STK
160	3	8	2517	45	3,0	-	136	48	7,55	553571	STK
	6	12	2517	45	11,0	-	136	67	7,65	553592	STK
	6	16	3020	52	17,0	-	136	86	7,75	553611	STK
170	3	8	2517	45	3,0	-	146	48	7,55	553572	STK
	6	12	2517	45	11,0	-	146	67	7,65	553593	STK
	6	16	3020	52	17,0	-	146	86	7,75	553612	STK
180	7	8	2517	45	1,5	120	156	48	7,55	553573	STK
	7	12	2517	45	11,0	120	156	67	7,65	553594	STK
	6	16	3020	52	17,0	-	156	86	7,75	553613	STK
200	7	8	2517	45	1,5	120	176	48	7,55	553574	STK
	7	12	3020	52	7,5	146	176	67	7,65	553595	STK
	7	16	3020	52	17,0	146	176	86	7,75	553614	STK
224	7	8	2517	45	1,5	120	202	48	7,55	553575	STK
	7	12	3020	52	7,5	146	202	67	7,65	553596	STK
	7	16	3020	52	17,0	146	202	86	7,75	553615	STK
250	8	8	3020	52	2,0	146	228	48	7,55	553576	STK
	7	12	3020	52	7,5	146	228	67	7,65	553597	STK
	8	16	3535	89	1,5	178	228	86	7,75	553616	STK
280	8	8	3020	52	2,0	146	256	48	7,55	553577	STK
	7	12	3020	52	7,5	146	256	67	7,65	553598	STK
	8	16	3535	89	1,5	178	256	86	7,75	553617	STK
315	8	8	3020	52	2,0	146	285	48	7,55	553578	STK
	8	12	3535	89	11,0	178	285	67	7,65	553599	STK
	8	16	3535	89	1,5	178	285	86	7,75	553618	STK

Bestellhinweis

Lieferung ohne Taper Lock® Spannbuchse.
Alle Maße in mm.

Regelscheibe Taper Lock® für Keilriemen

Mit 1 Rille.



Hinweise

- dr min./max. = möglicher Verstellbereich

Materialbeschreibung

- Stahl C40

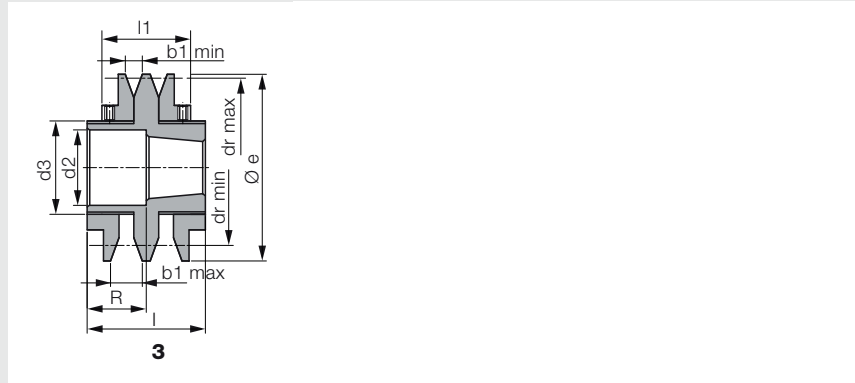
Type	Ausf.	Buchsen Nr.	Ø e	l	l1	b1 min.	b1 max.	dr min.	dr max.	d2	d3	R	Gewindestift ISK		Riemenprofil	Teile-Nr.	MEH
													Anz.	DIN 916			
PRB-93	2	1108	93	36,5	29,0	13	20,5	57 59	78 85	39	50	13,5	4	M6 x 6	Z (10 x 6) A (13 x 8)	553619	STK
PRB-108	1	1215	108	38,0	30,5	13	20,5	68 70 75 76	92 100 93 102	-	60	-	4	M6 x 6	Z (10 x 6) A (13 x 8) SPZ SPA	553620	STK
PRB-120	1	1215	120	38,0	30,5	13	20,5	80 82 87 88	104 112 105 114	-	60	-	4	M6 x 6	Z (10 x 6) A (13 x 8) SPZ SPA	553622	STK
PRB-138	1	1615	138	38,0	30,5	13	20,5	98 100 105 106	122 130 123 132	-	74	-	4	M6 x 6	Z (10 x 6) A (13 x 8) SPZ SPA	553624	STK
PRB-160	2	1615	160	45,0	35,5	17	26,5	108 112 114 117	138 150 140 153	58	74	6,5	4	M8 x 8	A (13 x 8) B (17 x 11) SPA SPB	553626	STK
PRB-180	2	2012	180	45,0	35,5	17	26,5	128 132 134 137	158 170 160 173	71	90	12,5	4	M8 x 8	A (13 x 8) B (17 x 11) SPA SPB	553628	STK
PRB-200	2	2012	200	45,0	35,5	17	26,5	149 152 155 159	177 190 179 193	71	90	12,5	4	M8 x 8	A (13 x 8) B (17 x 11) SPA SPB	553630	STK

Bestellhinweis

Lieferung ohne Taper Lock® Spannbuchse.
Alle Maße in mm.

Regelscheibe Taper Lock® für Keilriemen

Mit 2 Rillen.



Hinweise

- dr min./max. = möglicher Verstellbereich

Materialbeschreibung

- Stahl C40

Type	Ausf.	Buchsen Nr.	Ø e	l	l1	b1 min.	b1 max.	dr min.	dr max.	d2	d3	R	Gewindestift ISK		Riemenprofil	Teile-Nr.	MEH
													Anz.	DIN 916			
PRB2-108	3	1215	108	73	58	13	20,5	68	92	48,5	60	34,5	8	M6 x 6	Z (10 x 6)	553621	STK
								70	100						A (13 x 8)		
								75	93						SPZ		
								76	102						SPA		
PRB2-120	3	1215	120	73	58	13	20,5	80	104	48,5	60	34,5	8	M6 x 6	Z (10 x 6)	553623	STK
								82	112						A (13 x 8)		
								87	105						SPZ		
								88	114						SPA		
PRB2-138	3	1615	138	73	58	13	20,5	98	122	58,5	74	34,5	8	M6 x 6	Z (10 x 6)	553625	STK
								100	130						A (13 x 8)		
								105	123						SPZ		
								106	132						SPA		
PRB2-160	3	1615	160	87	68	17	26,5	108	138	58,5	74	48,5	8	M8 x 8	A (13 x 8)	553627	STK
								112	150						B (17 x 11)		
								114	140						SPZ		
								117	153						SPA		
PRB2-180	3	2012	180	87	68	17	26,5	128	158	71	90	54	8	M8 x 8	A (13 x 8)	553629	STK
								132	170						B (17 x 11)		
								134	160						SPZ		
								137	173						SPA		
PRB2-200	3	2012	200	87	68	17	26,5	149	177	71	90	54	8	M8 x 8	A (13 x 8)	553631	STK
								152	190						B (17 x 11)		
								155	179						SPZ		
								159	193						SPA		

Bestellhinweis

Lieferung ohne Taper Lock® Spannbuchse.
Alle Maße in mm.