

Custom Solution Development for Rope Sheave Liners



Technical development

Operating conditions vary and often do not allow the use of ready-made standard solutions. With our know-how and experience, we provide support in finding a suitable solution for your application.

Highlights – Custom solution development for rope sheave liners



Professional support

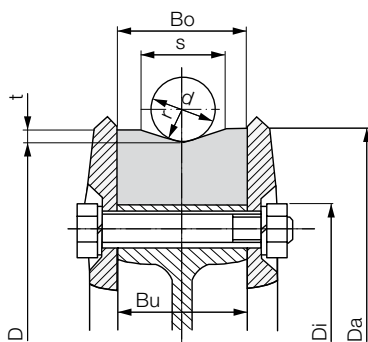
When it comes to developing custom solutions, in-depth experience is a key advantage and prevents unnecessary process loops.

Haberkorn can draw on a wealth of expertise and a large number of custom solutions for major customers. Many new ring shapes and groove geometries have been created in collaboration with our customers. The choice of material is always based on what is best suited to the specific application.



Reliable partner

Haberkorn always has the right partners at hand for implementing custom solutions. From the individual custom product to small batches and series production, we cooperate with experienced companies who can be relied upon to deliver the required quality and execution.



Straightforward handling

Simply send your drawing and specifications to thomas.samsinger@haberkorn.com.